



*Water Heater Repair Parts • Range Replacement Parts  
RV & Marine Fresh Water Antifreeze • Windshield Washer Fluid*



*Aftermarket Specialists*  
***Plumbing & Hardware***

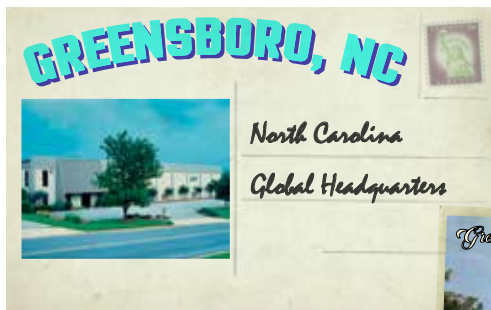
***Universal Replacement Parts***

# Aftermarket Specialists

## About Camco

Camco started in 1966 with one product and one employee. Don Caine and his wife Teresa, his one employee, mixed the antifreeze by hand in a 55 gallon drum with a big two by four plank. Lots of hard work, love and dedication have made Camco into the business it is today. Competitive pricing, superior service, quality products and customer satisfaction are the foundations upon which Camco operates.

Camco has always held a commitment to its employees and its country. It boasts over 1000 employees and five separate manufacturing facilities in the United States, where it creates and assembles many of its 4,000+ products. By working with inventors, entrepreneurs and small businesses, Camco has been able to bring and keep products in the market. Camco takes pride in meeting the ever changing demands of a challenging marketplace while maintaining its strong reputation of quality products and customer satisfaction.



# Contents

<b>New Products</b>	<b>2</b>
<b>Currituck Products</b>	<b>3</b>
<b>FAQ</b>	<b>4</b>
<b>WATER HEATER PARTS</b>	
<b>Elements</b>	<b>6</b>
<b>Repair</b>	<b>9</b>
<b>Thermostats</b>	<b>10</b>
<b>Gas Parts &amp; Accessories</b>	<b>13</b>
<b>Connectors &amp; Kits</b>	<b>14</b>
<b>T &amp; P Valves, Heat Traps &amp; Element Wrenches</b>	<b>15</b>
<b>Anode Rods &amp; Accessories</b>	<b>16</b>
<b>Drain Valves &amp; Water Hoses</b>	<b>17</b>
<b>Drain Pans &amp; Fittings</b>	<b>18</b>
<b>Water Heater Construction Diagram</b>	<b>20</b>
<b>Washing Machine Drain Pans</b>	<b>21</b>
<b>OVEN/RANGE PARTS</b>	
<b>Electric Burners &amp; Accessories</b>	<b>22</b>
<b>Pans, Bowls &amp; Knob Kits</b>	<b>23</b>
<b>Bake &amp; Broil Elements</b>	<b>24</b>
<b>Propane Campfires</b>	<b>26</b>
<b>Gas Matches and Sparkers</b>	<b>27</b>
<b>LIQUIDS PRODUCTS</b>	
<b>Fresh Water Antifreeze &amp; Boiler System Antifreeze</b>	<b>28</b>
<b>Fire Sprinkler System &amp; Windshield Washer Fluid</b>	<b>29</b>
<b>OTHER</b>	
<b>Bulk Parts Program</b>	<b>30</b>
<b>Retail Displays</b>	<b>32</b>
<b>Index</b>	<b>37</b>



# New Products

## Tankless Elements

1" NPS thread screw-in style universal replacement elements for EcoSmart® electric tankless water heaters. 9000w/240V element is compatible with ECO 18, ECO 27, and ECO 36 models. 3500W/120V element is compatible with ECO POU 3.5

02133, 02173

**Page 8**



## Marathon Element

1-1/2" – 12 UNF thread screw-in style universal replacement elements for the Rheem® manufactured Marathon® water heaters. The upper element sheath is made of copper tubing with a brass hex bushing and contains a thermal fuse to protect the water heater from damage due to a dry-fired element. The lower element sheath is made of high performance nickel-chromium stainless steel alloy tubing with a brass hex bushing. Instructions and gasket are included. UL listed. 5-year limited warranties on upper and lower elements.

02112, 02113, 02122, 02123

**Page 8**



## Element Wrench - Dual Headed

Use to remove both residential standard and Marathon® elements. Dual-sided to fit all standard 1-1/2" and 1-7/8" screw-in element hex heads. Works with your screwdriver (not included) for increased leverage. 5" length.

09888, 09889 (Bulk)

**Page 15**



## Dishwasher Drain Pan

Camco's Dishwasher Drain Pan can help save the cost of expensive repairs by alerting the homeowner to dishwasher leaks that would otherwise go undetected. It is designed to guide water to the front of the pan so that it can be seen before any water damage has occurred.

20600 - 24" x 20.5" OD, white

**Page 21**



**Coolers**—Extreme durability • Knuckle saving handle stops • Fully sealing, freezer-grade gasket • Included Storage Tray • Made in the USA

Stock #	Description	Qty
51700	Cooler - 50 qt - White/Gray	1
51701	Cooler - 50 qt - White/Cyan	1
51702	Cooler - 50 qt - Cyan/Gray	1
51703	Cooler - 50 qt - Gray/Magenta	1
51704	Cooler - 50 qt - Olive/Orange	1
51710	Cooler - 30 qt - White/Gray	1
51711	Cooler - 30 qt - White/Cyan	1
51712	Cooler - 30 qt - Cyan/Gray	1
51713	Cooler - 30 qt - Gray/Magenta	1
51714	Cooler - 30 qt - Olive/Orange	1

### Cooler Accessories

51978	Cold Pack - Small 6-1/4" x 5-3/4"	4
51979	Cold Pack - Medium 8" x 5-3/4"	4
51980	Cold Pack - Large 8" x 11-1/2"	4
51790	Rod Holder	4
51791	Cup Holder	4
51792	Divider - 30 qt	4
51793	Divider - 50 qt	4
51794	Cutting Board - 30 qt	4
51795	Cutting Board - 50 qt	4

**Stainless Steel Bottles**—Extreme durability • Double-wall vacuum insulation • Convenient and easy to carry • Standard or wide mouth • Superior ice and heat retention

51935	SS Bottle - 12 oz - Standard Mouth - Orange	4
51936	SS Bottle - 12 oz - Standard Mouth - Raspberry	4
51937	SS Bottle - 12 oz - Standard Mouth - Seafoam	4
51938	SS Bottle - 12 oz - Standard Mouth - Charcoal	4
51988	SS Bottle - 12 oz - Standard Mouth - Stainless Steel	4
51939	SS Bottle - 20 oz - Standard Mouth - Orange	4
51940	SS Bottle - 20 oz - Standard Mouth - Raspberry	4
51941	SS Bottle - 20 oz - Standard Mouth - Seafoam	4
51942	SS Bottle - 20 oz - Standard Mouth - Charcoal	4
51987	SS Bottle - 20 oz - Standard Mouth - Stainless Steel	4
51943	SS Bottle - 24 oz - Wide Mouth - Orange	4
51944	SS Bottle - 24 oz - Wide Mouth - Raspberry	4
51945	SS Bottle - 24 oz - Wide Mouth - Seafoam	4
51946	SS Bottle - 24 oz - Wide Mouth - Charcoal	4
51986	SS Bottle - 24 oz - Wide Mouth - Stainless Steel	4
51947	SS Bottle - 36 oz - Wide Mouth - Orange	4
51948	SS Bottle - 36 oz - Wide Mouth - Raspberry	4
51949	SS Bottle - 36 oz - Wide Mouth - Seafoam	4
51950	SS Bottle - 36 oz - Wide Mouth - Charcoal	4
51985	SS Bottle - 36 oz - Wide Mouth - Stainless Steel	4
51956	SS Growler - 64 oz - Stainless Steel	4

### Stainless Steel Food Containers

51927	SS Food Container - 12 oz - Orange	4
51928	SS Food Container - 12 oz - Seafoam	4
51929	SS Food Container - 12 oz - Raspberry	4
51930	SS Food Container - 12 oz - Charcoal	4
51957	SS Food Container - 12 oz - Stainless Steel	4
51931	SS Food Container - 18 oz - Orange	4
51932	SS Food Container - 18 oz - Seafoam	4
51933	SS Food Container - 18 oz - Raspberry	4
51934	SS Food Container - 18 oz - Charcoal	4
51989	SS Food Container - 18 oz - Stainless Steel	4

**Stainless Steel Tumblers**—Extreme durability • Double-wall vacuum insulation • Convenient and easy to carry

51860	SS Tumbler - 12 oz - w/ BPA Free Tritan Embossed Slider Lid	12
51861	SS Tumbler - 20 oz - w/ BPA Free Tritan Embossed Slider Lid	12
51862	SS Tumbler - 30 oz - w/ BPA Free Tritan Embossed Slider Lid	12
51863	SS Curricoozie Can Holder	12

### Tumbler Accessories

51848	BPA Free Tritan Embossed Slider Lid - 12 & 20 oz	6
51849	BPA Free Tritan Embossed Slider Lid - 30 oz	6
51919	Tumbler Handle - 20 oz - Black	4
51920	Tumbler Handle - 20 oz - Pink	4
51921	Tumbler Handle - 20 oz - Blue	4
51922	Tumbler Handle - 20 oz - Orange	4
51923	Tumbler Handle - 30 oz - Black	4
51924	Tumbler Handle - 30 oz - Pink	4
51925	Tumbler Handle - 30 oz - Blue	4
51926	Tumbler Handle - 30 oz - Orange	4
51969	Tumbler Handle - 12 oz - Black	4
51970	Tumbler Handle - 12 oz - Pink	4
51971	Tumbler Handle - 12 oz - Blue	4
51972	Tumbler Handle - 12 oz - Orange	4



See back cover for more pictures of products.

# Frequently Asked Questions

## Electric Water Heater Elements

### I don't have hot water. How do I determine what is wrong?

Check the breaker or fuse box for a blown fuse or tripped breaker. If this is not the problem, shut off the power to the water heater. (IMPORTANT!) The problem may be caused by a defective or shorted element(s) or thermostat(s) or both. If you are experienced with plumbing and electrical tools, you can do the repairs yourself. If you are at all hesitant, call a plumber or electrician. Camco Mfg. provides a water heater tester (#10023) that lets you test the elements and thermostats while they remain installed on the heater. Instructions are included.

### What causes water heater elements to fail, some sooner than others?

Several reasons: power surges, lime buildup and dry-firing. Most water heaters are sold with high watt-density (HWD) elements. These are the least expensive and are the most susceptible to these problems. On a "Standard-Better-Premium" scale, the HWD elements are STANDARD.

### Why are some water heater elements folded back?

These are low watt-density (LWD) elements. The heat output (watts) per square inch of surface area is lower than that of a regular element. In order for total heat to be the same, the total surface has been increased. It is folded back so the length will fit the tank. Not all LWD elements are fold-backs. In areas with "hard" water, a LWD element resists lime build-up on its surface, thus extending its life. These elements are BETTER.

### What are Lime Life elements?

These elements are PREMIUM. They are made of high-performance nickel-chromium stainless steel and are ultra low watt-density. These features help prevent lime build-up and extend the life of the element. A Lime Life element is resistant to dry-firing. These Lime Life elements carry a limited 5-year warranty. Because of the low watt-density, these elements are folded back to reduce the length. Some are rippled to further reduce the length to fit the diameter of the tank.

### What is meant by the term "dry-firing?"

High watt density and low watt-density are designed to function in water. If not surrounded by water, the intense heat they generate (dry fire) will cause them to burn out. The water tank must be full of water whenever the power is on. Dry-fire failure is not covered by any warranty. It is a human error. Dry-fired elements are easily detected. The element is soft and easily bent. In most cases, a hole is burned through the surface.

### Can I replace the element in my water heater with higher wattage elements?

It is not recommended. The water heater is designed for that element size. Higher wattage might require heavier gauge wire and a larger capacity circuit breaker.

### Can I use a water heater element in an application other than a water heater?

It is not recommended. These elements are designed specifically for residential water heaters. We have no experience or knowledge of other uses. You may do so at your own risk. Non-water heater use of our elements and thermostats voids all warranties. The only exception to this is homebrew elements which have a 1 year warranty for non-water heater use.

### I just installed a water heater element and now my heater makes a humming sound.

This is called a "harmonic." If the element is installed so that the loop is horizontal, the vibration from the electric current will cause the element to hum. This noise can be prevented by installing so that the loop is vertical. The flanged elements have markings on the flange, indicating the vertical position of the loop. Screw-in elements also have the vertical position marked; to eliminate the humming on screw-in elements, tighten the element another half turn. In some instances, less than a half turn will stop the harmonic.

### Why aren't the two elements operating simultaneously?

In most residential water heaters, only one element is on at any given time. The lower element does 90% or more of the heating. During periods of heavy use, the upper element switches on (the lower switches off) and heats the upper part of the tank to 120°. It then shuts off, turns on the lower, and it heats the water to the setting of the lower thermostat.

# Frequently Asked Questions

## Electric Water Heater Thermostats

### Are water heater thermostats adjustable?

Most water heater thermostats provided by Camco are adjustable. They are factory set at 120° F. On a two-element water heater, it is not recommended that the upper thermostat be adjusted. If a higher water temperature is desired, adjust the lower to a higher setting. Both may be lowered if a cooler temperature is desired. **Adjusting above 120° F can cause severe burns or death.**

### I noticed that there are two styles of water heater thermostats. Are they interchangeable?

Yes, like models of the two thermostat manufacturers are interchangeable. Use caution in selecting the correct model for their position on the heater (upper, lower, single element T-stat). Terminal positions between the brands may not be the same and in some cases, the water heater wiring may need to be extended. When possible, it is recommended to replace with the same brand.

### How do I know which thermostat to buy?

A two-element water heater has two thermostats: an upper and a lower. Each must be replaced with a thermostat with the same function: upper for upper, lower for lower. They cannot be interchanged, as they perform specific functions. A single-element water heater has only one thermostat and that is called a "single element thermostat." The upper and lower thermostats for a two-element heater cannot be used on a single-element water heater and vice versa.

## Other Miscellaneous Questions

### I opened the drain valve and very little water flowed.

You probably have sediment and scale build-up on the bottom of the tank that is blocking the valve. In areas where the water is very "hard" or well water is used, lime build-up can occur. The high heat of the heater elements will cause scale and sediment to coat the elements and settle on the tank bottom. Light build-up of sediment may be removed by attaching a water hose to the drain valve. Drain the tank every 6–12 months; more often if necessary. Important: Turn off power first or it could cause element burn out.

### The Temperature and Pressure relief valve has a threaded outlet. What attaches to it?

The T&P valve outlet must have a run-off tube attached to it. Most building codes require a tube that terminates 6" from the floor. If the T&P valve activates, water should flow into a drain or into a water heater pan that is plumbed to a drain. This run-off tube may be metal or plastic. Check local plumbing codes for correct material for your area.

### What are dielectric fittings and connectors?

When fittings of unlike metals are joined together (copper with steel, brass with steel, etc.), the faint electrical current that is present in any water pipe system will cause corrosion of the threads in one or both of the fittings and cause leaking. The plastic liner or sleeve in the dielectric fittings and connectors prevents this from happening.

### What is an anode rod?

It is a magnesium or aluminum rod inserted in the heater, from the top, in an opening of its own or as part of the outlet nipple. The metal is self-sacrificing (corrodes); this helps protect the tank and elements from corroding. Replacement anode rods are available and easy to install.

### Are water heater drain pans necessary?

It depends on the plumbing codes in your area and the location of your water heater. If your heater is in a garage or a non-finished basement where leaking water would flow harmlessly into a drain, a pan is not necessary. However, if the heater is in or above a living space where leaking could cause extensive water damage, it is cheap insurance to protect your home from such an event. Plumbing codes require the use of a drain pan when finished surfaces could sustain damage from a leak.

### What type of pan should be used?

Plastic pans should be used with electric water heaters, and metal pans should be used for gas water heaters and can be used with electric water heaters. Codes in some areas require metal pans for all heaters installed in a living space.

### What is the purpose of a water heater stand?

A stand is used primarily with gas water heaters when installed in garages and basements where combustible fumes may exist. Gas heaters have an open flame, and tests have shown that placing a gas water heater at least 16" above the floor will offer some protection against combustion of volatile fumes.

# Water Heater Elements

Fits most models: • American • A O Smith • Bradford White  
 • Craftmaster • General Electric • CS Wood (some models)  
 • Kenmore • Lochinvar • Maytag • Mor-Flo • Reliance  
 • Rheem • Richmond • Ruud • Sears • State • Whirlpool

## Premium - Lime Life Water Heater Elements - Ultra Low Watt Density - Our best immersion elements

UL listed for USA and Canada - 5 year limited warranty (see page 5) Detailed instructions and gasket included with each packaged element



Made with high-performance nickel chromium stainless steel alloy and plated carbon steel bushings/flanges  
 Ultra low watt density - Resists dry firing - Best when water has high mineral content - Heats in lime and sand buildup that would burn out ordinary elements

Stock #	Watts @ 240v	Watts @ 208v	Watts @ 120v	Nominal Voltage	Type	Min. Tank Diameter	Case Qty
---------	--------------	--------------	--------------	-----------------	------	--------------------	----------

### Screw-In Foldback (1" NPS; Fits most screw-in type water heaters.) includes gasket #06822

02853	-	-	1500w	120v	Ultra LWD	9"	12
02903	2500w	2000w	-	240v	Ultra LWD	12"	12
02913	3500w	2500w	-	240v	Ultra LWD	15"	12
02923	4500w	3500w	-	240v	Ultra LWD	15"	6
02933	5500w	4125w	-	240v	Ultra LWD	15"	12

### Screw-In Ripple Foldback

(1" NPS; Fits most screw-in type water heaters.) includes gasket #06822

02953	4500w	3500w	-	240v	Ultra LWD	15"	6
02963	5500w	4125w	-	240v	Ultra LWD	15"	3

### Universal Flange Foldback includes gasket #06882

04943	4500w	3500w	-	240v	Ultra LWD	15"	6
-------	-------	-------	---	------	-----------	-----	---

### Screw-In - Special Order Only

(1" NPS; Fits most screw-in type water heaters) includes gasket #06822

02152	1500w	1125w	-	240v	Ultra LWD	12"	12
02972	6000w	4500w	-	240v	Ultra LWD	24"	12

Screw-In Foldback

Screw-In Ripple Foldback

Universal Flange Foldback

## Better - Low Watt Density Elements - 1 year warranty

UL listed for USA and Canada - 1 year limited warranty (see page 3). Detailed instructions and gasket included with each packaged element.

Made with plated copper tubing and plated carbon steel bushings/flanges - Low Watt Density



Stock #	Watts @ 240v	Watts @ 208v	Watts @ 120v	Nominal Voltage	Type	Min. Tank Diameter	Case Qty
---------	--------------	--------------	--------------	-----------------	------	--------------------	----------

### Screw-In (1" NPS; Fits most screw-in type water heaters) includes gasket #06822

02463	-	-	1500w	120v	LWD	10"	12
-------	---	---	-------	------	-----	-----	----

### Screw-In Foldback (1" NPS; Fits most screw-in type water heaters) includes gasket #06822

02493	2500w	2000w	-	240v	LWD	10"	12
02523	3500w	2500w	-	240v	LWD	11"	12
02583	4500w	3500w	-	240v	LWD	13"	12
02613	6000w	4500w	-	240v	LWD	17"	12

### Flat Flange Foldback includes gasket #06842

04103	4500w	3500w	-	240v	LWD	13"	12
-------	-------	-------	---	------	-----	-----	----

### Universal Flange Foldback includes gasket #06882

04703	4500w	3500w	-	240v	LWD	13"	12
-------	-------	-------	---	------	-----	-----	----

### Screw-In Special Order Only - includes gasket #06822

Stock #	Watts @ 277v	Watts @ 240v	Watts @ 120v	Nominal Voltage	Type	Min. Tank Diameter	Case Qty
04752	2000w	1500w	-	277v	LWD	9"	12
04762	4500w	3380w	-	277v	LWD	15"	12

Screw-In

Screw-In Foldback

Flat Flange Foldback

Universal Flange Foldback



# Water Heater Elements

Fits most models: • American • A O Smith • Bradford White  
 • Craftmaster • General Electric • GS Wood (some models)  
 • Kenmore • Lochinvar • Maytag • Mor-Flo • Reliance  
 • Rheem • Richmond • Ruud • Sears • State • Whirlpool



## Standard - High Watt Density Elements - 1 year warranty

UL listed for USA and Canada - 1 year limited warranty (see page 5). Detailed instructions and gasket included with each packaged element.

Made with plated copper tubing and plated carbon steel bushings/flanges - High Watt Density

Stock #	Watts @ 240v	Watts @ 208v	Watts @ 120v	Nominal Voltage	Type	Min. Tank Diameter	Case Qty
---------	--------------	--------------	--------------	-----------------	------	--------------------	----------

### Screw-In (1" NPS; Fits most screw-in type water heaters.) includes gasket #06822

02483	-	-	1650w	120v	HWD	7.5"	6
02103	-	-	1000w	120v	HWD	8"	12
02143	-	-	1500w	120v	HWD	9"	6
02163	1500w	1200w	-	240v	HWD	9"	12
02183	-	-	1750w	120v	HWD	9"	12
02203	-	-	2000w	120v	HWD	9"	12
02223	2000w	1500w	-	240v	HWD	9"	12
02243	2500w	2000w	-	240v	HWD	10"	12
02263	3000w	2250w	-	240v	HWD	12"	12
02283	3500w	2500w	-	240v	HWD	14"	12
02293	3800w	3000w	-	240v	HWD	15"	12
02303	4000w	3000w	-	240v	HWD	15"	12
02343	4500w	3500w	-	240v	HWD	15"	12
02862	-	5500w	-	208v	HWD	17"	1

### Screw-In Foldback (1" NPS; Fits most screw-in type water heaters.) includes gasket #06822

02363	5500w	4125w	-	240v	HWD	11"	12
02643	4500w	3500w	-	240v	HWD	9"	12

### Flat Flange includes gasket #06842

03743	-	-	1500w	120v	HWD	9"	12
03923	3500w	2500w	-	240v	HWD	14"	12
03943	4500w	3500w	-	240v	HWD	15"	12

### Universal Flange includes gasket #06882

04363	-	-	1500w	120v	HWD	9"	3
04383	1500w	1200w	-	240v	HWD	8"	12
04443	-	-	2000w	120v	HWD	9"	12
04483	2500w	2000w	-	240v	HWD	10"	6
04503	3000w	2250w	-	240v	HWD	12"	12
04523	3500w	2500w	-	240v	HWD	14"	12
04563	4000w	3000w	-	240v	HWD	15"	12
04603	4500w	3500w	-	240v	HWD	15"	6
04643	5500w	4125w	-	240v	HWD	11"	12

### Universal Flange Foldback includes gasket #06882

04803	4500w	3500w	-	240v	HWD	9"	12
-------	-------	-------	---	------	-----	----	----

### Screw-In - Special Order Only includes gasket #06822

Stock #	Watts @ 480v	Watts @ 277v	Watts @ 240v	Nominal Voltage	Type	Min. Tank Diameter	Case Qty
02382	4500w	-	-	480v	HWD	12"	12
02352	5000w	-	-	480v	HWD	12"	12
02392	6000w	-	-	480v	HWD	14"	12
04732	-	4500w	3380w	277v	HWD	15"	12



## Element Conversion Kit

Use a standard screw-in element to replace a flat, universal or round flange element using the Element Conversion Kit.

This adapter kit is intended for use with a screw-in type element.

Stock#	Description	Qty
07223	Universal Adapter Kit	12

07223 contains: (1) 2-1/2" 4-bolt Adapt-a-Flange, (1) Four Hole Gasket, (4) 5/16" -18 Hex Washer-Head Bolts (1) Screw-In Gasket and (1) Thermostat Bracket

07222	2-1/2" 4-Hex Bolt Adapt-A-Flange only	50
-------	---------------------------------------	----

## Element Gaskets

Stock #	Description	OD	ID	Thickness	Qty
06822	Screw-In Element Gasket	1.425"	1.225"	0.165"	25
06842	Flat Flange Element Gasket	1.625"	1.1875"	0.50"	25
06882	Universal Flange Element Gasket	1.64"	1.13"	0.35"	25
06902	Four Hole Element Gasket	-	1.5625"	0.0625"	25
07133	Universal Gasket Kit (One each of 06822, 06882, 06902)				12

# Water Heater Elements

## Marathon Elements

1-1/2" – 12 UNF thread screw-in style universal replacement elements for the Rheem® manufactured Marathon® water heaters. The upper element sheath is made of copper tubing with a brass hex bushing and contains a thermal fuse to protect the water heater from damage due to a dry-fired element. The lower element sheath is made of high performance nickel-chromium stainless steel alloy tubing with a brass hex bushing. Instructions and gasket are included. UL listed. 5-year limited warranties on upper and lower elements.

Stock #	Watts @ 240v	Watts @ 120v	Nominal Voltage	Type	Sheath Length	Case Qty
---------	--------------	--------------	-----------------	------	---------------	----------

**Universal Upper Marathon® Element Replacement** 5 year limited warranty (see page 5)  
Copper w/ thermal fuse – 1-1/2" -12 UNF

02112	4500	1150	240	ULWD	14.1 in.	25 Bulk
02113	4500	1150	240	ULWD	14.1 in.	12 Clam

**Universal Lower Marathon® Element Replacement** 5 year limited warranty (see page 5)  
Incoloy – 1-1/2" -12

02122	4500	1150	240	ULWD	16.5 in.	25 Bulk
02123	4500	1150	240	ULWD	16.5 in.	12 Clam



## Instantaneous/Tankless Elements

1" NPS thread screw-in style universal replacement elements for EcoSmart® electric tankless water heaters. 9000w/240V element is compatible with ECO 18, ECO 27, and ECO 36 models. 3500W/120V element is compatible with ECO POU 3.5

Stock #	Watts @ 240v	Watts @ 120v	Nominal Voltage	Type	Sheath Length	Case Qty
---------	--------------	--------------	-----------------	------	---------------	----------

**Screw-In Tankless** 1 year limited warranty (see page 5)

02133	9000	2300	240	HWD	11.6 in.	12
02173	N/A	3500	120	HWD	5.6 in.	12



## Low Watt Density & Ultra Low Watt Density Duron® Elements

1-3/8" – 12 UNF thread screw-in style elements for the State Industries manufactured Duron tank water heaters. Also used in Sears Duron tank water heaters. Each element includes two gaskets.

Stock #	Watts @ 240v	Watts @ 208v	Watts @ 120v	Nominal Voltage	Type	Min. Tank Diameter	Case Qty
---------	--------------	--------------	--------------	-----------------	------	--------------------	----------

**Better - Screw-In Foldback** 1 year limited warranty (see page 5)

02713	3800	3000	-	240	LWD	13"	12
02723	4500	3500	-	240	LWD	13"	12

**Premium - Screw-In Ripple Foldback** 5 year limited warranty (see page 5)

02753	4500	3500	-	240	Ultra LWD	15"	6
-------	------	------	---	-----	-----------	-----	---

1-3/8" - 12 UNF Thread  
Screw-In Foldback



For the State Industries  
manufactured Duron  
tank water heaters.  
Also used in Sears Duron  
tank water heaters.

## Premium Ultra Low Watt Density All-Stainless Elements — perfect for home-brewing applications

- Premium Ultra Low Watt Density electric elements help prevent scorching and caramelizing
- Resists dry firing
- High performance nickel-chromium stainless steel alloy
- Stainless steel bushing (1" NPS screw-in)
- 1-year limited warranty for non-water-heater applications
- 5-year limited warranty for water-heater applications

Stock #	Watts @ 240v	Watts @ 208v	Watts @ 120v	Nominal Voltage	Type	Min. Tank Diameter	Case Qty
---------	--------------	--------------	--------------	-----------------	------	--------------------	----------

**Screw-In Foldback**

02929	4500	3500	-	240	Ultra LWD	15"	25
02935	5500	4125	-	240	Ultra LWD	15"	25

**Screw-In Ripple Foldback**

02955	4500	3500	-	240	Ultra LWD	15"	25
02965	5500	4125	-	240	Ultra LWD	15"	25



# Water Heater Repair

## Water Heater Repair Kits for the DIY or professional plumber

All the parts needed to repair or renew an electric water heater system

Fits most models: • American • A O Smith • Bradford White • Craftmaster • General Electric  
• GS Wood (some models) • Kenmore • Lochinvar • Maytag • Mor-Flo • Reliance  
• Rheem • Richmond • Ruud • Sears • State • Whirlpool

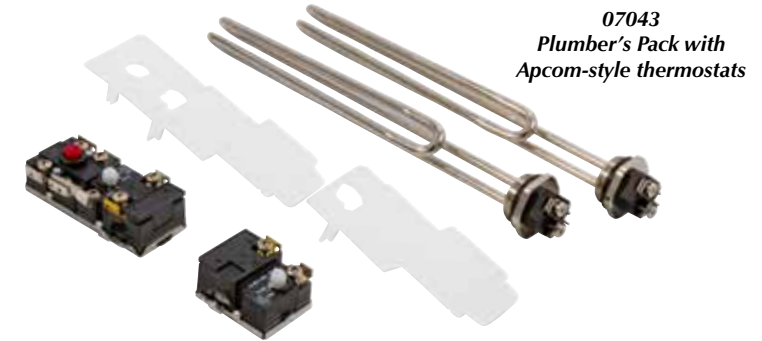
### Standard - With High Watt Density Elements

Stock #	Description	Qty
07013	Plumber's Pack w/Therm-O-Disc Style T-stats Contains: (2) #02342 High Watt Density Elements 4500w 240v (1) #08122 Therm-O-Disc lower thermostat (1) #08162 Therm-O-Disc upper thermostat	6
07023	Plumber's Pack w/Apcom Style Thermostats Contains: (2) #02342 High Watt Density Elements 4500w 240v (1) #07722 Apcom style lower thermostat w/protector (1) #07862 Apcom style upper thermostat w/protector	6



### Better - With Low Watt Density Elements

07033	Plumber's Pack w/Therm-O-Disc Style T-stats Contains: (2) #02582 Low Watt Density Elements 4500w 240v (1) #08122 Therm-O-Disc Lower Thermostat (1) #08162 Therm-O-Disc Upper Thermostat	6
07043	Plumber's Pack w/Apcom Style Thermostats Contains: (2) #02582 Low Watt Density Elements 4500w 240v (1) #07722 Apcom Style Lower Therm. w/ Protector (1) #07862 Apcom Style Upper Therm. w/ Protector	6



### Best - With Ultra Low Watt Density Lime-Life Elements

07044	Plumber's Pack w/Apcom Style T-stats Contains: (2) #02922 Ultra Low Watt Density Lime Life Elements 4500w 240v (1) #07722 Apcom Style Lower Therm. w/ Protector (1) #07862 Apcom Style Upper Therm. w/ Protector	6
-------	--	---



## Water Heater Element Quick Change

Save time and water! With the patented Camco Water Heater Element Quick Change Tool, there is no need to drain your tank when replacing an element. Simply follow the included instructions and you will have your water heater repaired and operational in a fraction of the time that it takes to drain your tank. The patented Camco collapsible bucket is the perfect item to use in conjunction with this Quick Change tool.

09973 Quick-Change Tool Carton Qty: 12

## Collapsible Buckets

The perfect size for many around-the-house uses. Also great for RVing, camping, fishing and more. Great for use in tight spaces, under sink drain traps and water heater drain valves. Opens to 9.25 inches and folds down to less than 2 inches for compact storage. Zippered storage bag included.

42993 Blue Bucket Carton Qty: 4  
42994 Camouflage Bucket Carton Qty: 4



# Water Heater Thermostats

## Apcom Style

UL listed for US and Canada • Meets original specification lengths for American, AO Smith, Bradford White, GE, GSW, Kenmore, Maytag, Reliance, Rheem, Richmond, Rudd, Sears, State, and Whirlpool

- Carded thermostats are packed in convenient cut cases and come complete with detailed instructions and wiring diagrams for easy installation
- Built-in safety switch to help prevent overheating
- Energy-efficient range setting
- Apcom thermostats include a plastic terminal protector. All thermostats should have a terminal protector in place before the water heater cover plate is reinstalled.

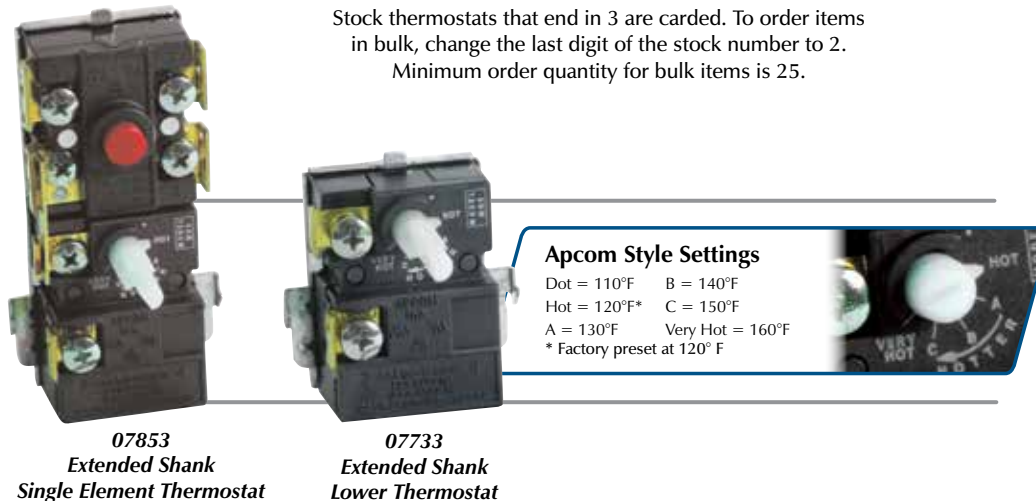
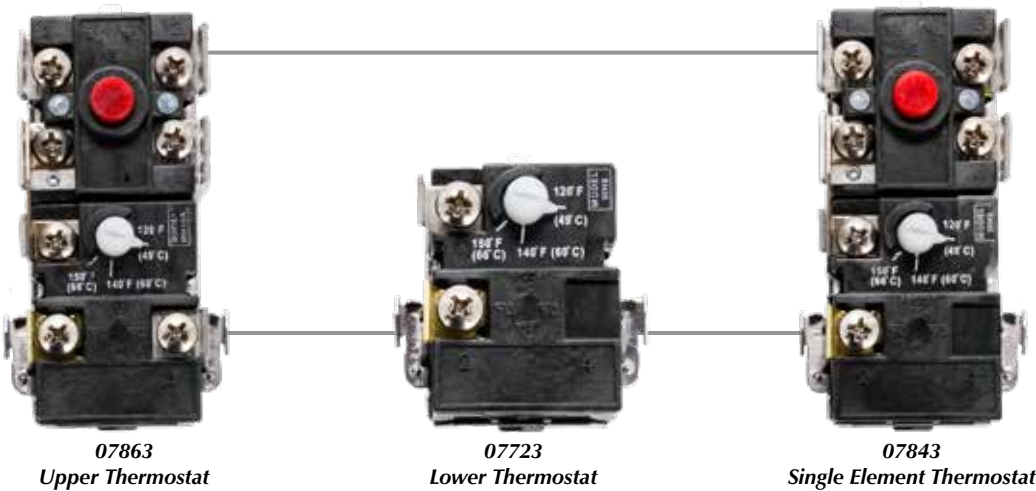
### Apcom Style Thermostats

Stock #	Description	Apcom Style	HLC	Terminal Protector	Application Voltage	Qty
07863	Thermostat, Upper	WH10A	Yes	Yes	240/208/120	6
07723	Thermostat, Lower	WH9	-	Yes	240/208/120	6
07843	Thermostat, Single Element	WH9	Yes	Yes	240/208/120	6

### Apcom Style Extended Shank

07853	Thermostat, Single Element	WH9	Yes	Yes	240/208/120	12
07733	Thermostat, Lower	WH9	-	Yes	240/208/120	6

HLC = High Limit Control

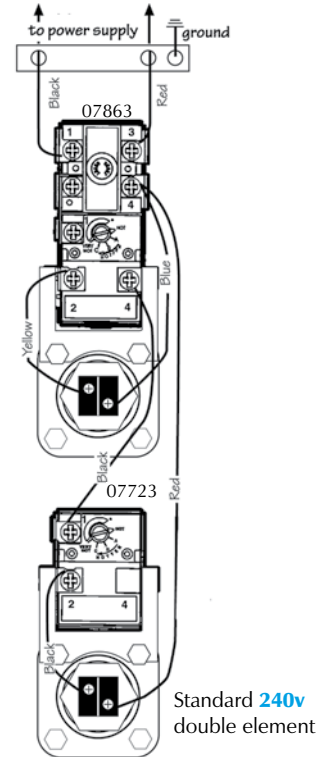


### Apcom Style

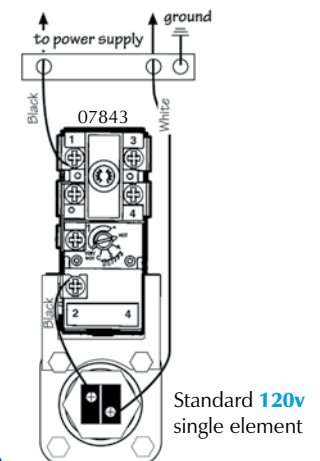
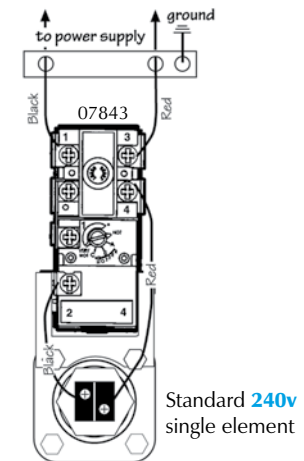
Wiring Diagram of Thermostats to Standard Water Heater Elements

Note: Wire color may vary on some water heaters, but connections remain the same.

#### Double Element Water Heaters



#### Single Element Water Heaters



# Water Heater Thermostats

## Therm-O-Disc Style

CSA listed • UL listed for USA and Canada • Meets original specification lengths for American, AO Smith, Bradford White, Craftmaster, GE, GSW, Kenmore, Maytag, Reliance, Rheem, Richmond, Rudd, Sears, State, and Whirlpool

- Carded thermostats are packed in convenient cut cases and come complete with detailed instructions and wiring diagrams for easy installation
- Built-in safety switch on single and upper thermostats to prevent overheating • Energy efficient range setting

### Therm-O-Disc Style Thermostats

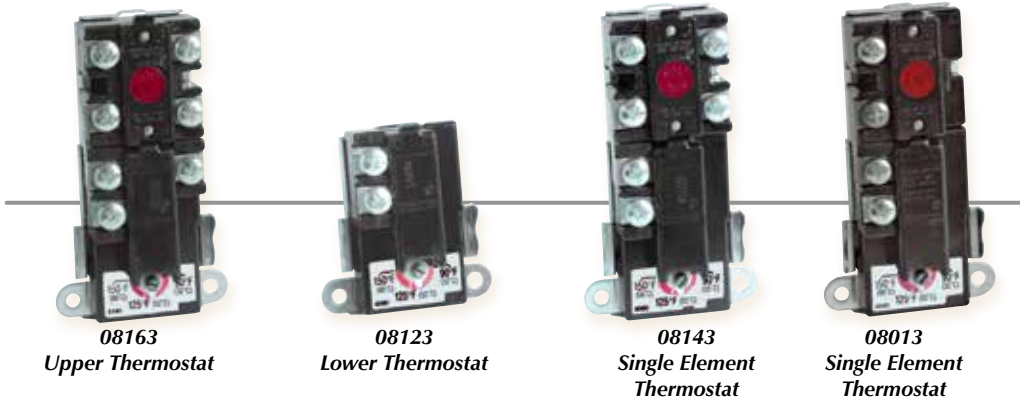
Stock #	Description	Therm-O-Disc Style	HLC	Application Voltage	Qty
08163	Thermostat, Upper	59T/66T	Yes	240/208/277/120/480	12
08123	Thermostat, Lower	59T	-	240/208/277/120/480	12
08143	Thermostat, Single Element	59T/66T	Yes	240/208/277/120/480	12
08013	Thermostat, Single Element 120V	59T/66T	Yes	120	12

HLC = High Limit Control

Therm-O-Disc Style Thermostats do not include a Plastic Terminal Protector. Order 08113 or 08103 if shield is damaged or missing.

### Therm-O-Disc Style Terminal Protector

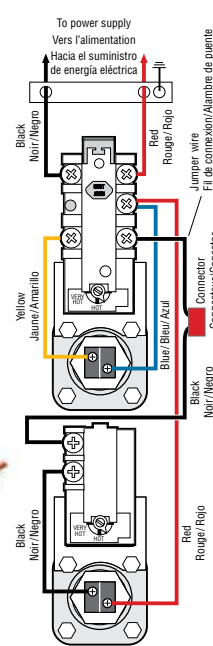
Stock #	Description	Qty
08113	TOD Upper T-Stat Terminal Protector	12
08103	TOD Lower T-Stat Terminal Protector	12



### Therm-O-Disc Style Upper/Lower Thermostat Kit with Jumper Wire

- Used when the wire between the upper and lower thermostats is too short
- Includes one upper and lower thermostat (Therm-O-Disc style 59T/66T)
- Includes one 6" long 10 gauge jumper wire and one push wire connector
- Includes 2 thermostat protectors and a thermostat mount bracket
- Most often used with Bradford White water heaters

Stock #	Description	Qty
08130	TOD Upper/Lower Thermostat Kit with Jumper Wire	6

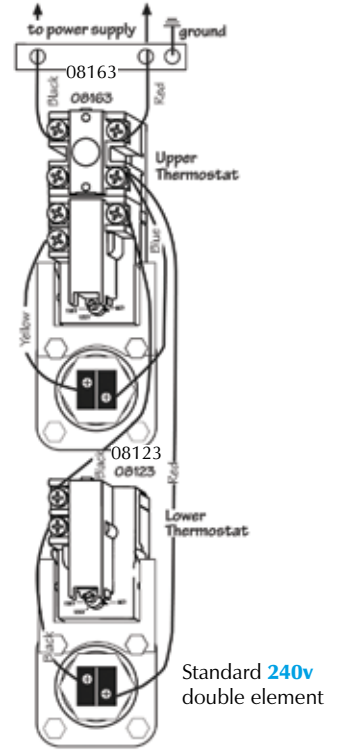


## Therm-O-Disc Style

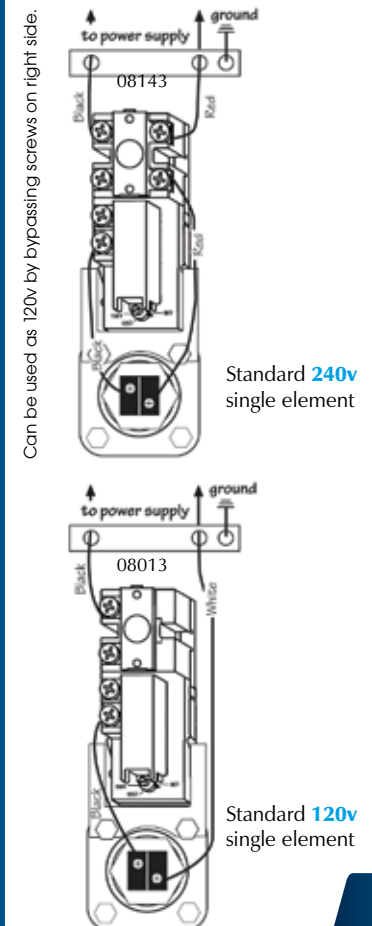
Wiring Diagram of Thermostats to Standard Water Heater Elements

Note: Wire color may vary on some water heaters, but connections remain the same.

### Double Element Water Heaters



### Single Element Water Heaters



Can be used as 120v by bypassing screws on right side.

# Water Heater Thermostats and Accessories

## About Electric Water Heater Thermostats

### Double Element Heaters

The majority of residential water heaters are designed with two elements controlled by two different thermostats. The upper thermostat is the "brain" of the water heater. It controls the heat generated by the upper element and it controls power delivered to the lower thermostat. Most residential water heaters are designed to have the upper and lower thermostats work separately.

**The upper and the lower thermostats never operate simultaneously.** The upper thermostat has a safety device attached to it called a High Limit Control (HLC). It has a heat sensor that will shut down the power to the heater if the temperature of the tank exceeds safety limits. The button may be reset to restore power to the heater. **Do not reset the HLC until the problem causing the unit to trip is corrected.**

### Operation Cycle of Double Element Heaters

1. The upper thermostat senses cold water and has energized the upper element. Although contacts on both thermostats are normally closed in response to the cold water, the double-throw upper thermostat completes the circuit only to the upper heating element. Because of the double throw action, power to the lower thermostat is cut off.
2. As the upper element operates, it heats the water above it (approximately one quarter of the tank's capacity).
3. The water in the upper quarter of the tank is heated until it reaches the temperature set on the upper thermostat. The upper thermostat then breaks the circuit to the upper heating element and completes the circuit to the lower thermostat.
4. The lower element then operates and heats the remainder of the water in the tank.
5. The lower thermostat breaks the circuit to the lower element when the water in the lower portion of the tank has been heated to its setting. The entire tank is now filled with hot water.
6. As hot water is drawn from the top of the tank, cool water is delivered to the bottom of the tank through the dip tube. The lower thermostat reacts to the entering cold water by closing its contacts, energizing the lower heating element and heating the water as it enters the tank.
7. Thermostats are factory preset at 120° F.

### Single Element Heaters (with high limit)

Most of the smaller water heaters and point-of-use heaters are designed with only one element and thus only one thermostat. Most of the single element water heaters are wired for 120v. Never connect or adapt a 120v water heater to a 240v system.

The high limit control is located on the thermostat. (See diagrams for proper wiring.)

**NOTE:** Because the HLC is attached to the single element thermostat, it looks similar to an upper thermostat for a two-element heater. Care should be taken in choosing the correct replacement thermostat. An upper thermostat will not work on a single element heater.

## Therm-O-Disc Commercial Thermostats

Stock #	Description	T-O-D Style	HLC	Application Voltage	Qty
08304	Upper Thermostat - 180° F	59T	Yes	480/240/208/120	6
08314	Lower Thermostat -180° F	59T	-	480/240/208/120	6

HLC = High Limit Control

### For Commercial Use Only

### UL Listed

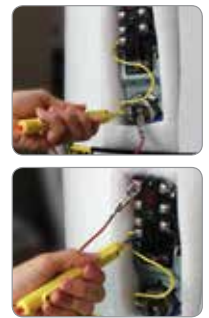
*These thermostats are for commercial use only; not to be used in a domestic setting.*

Therm-O-Disc Style Thermostats are not supplied with a Protective Shield. Order 08113 or 08103 (page 11) if shield is damaged or missing.



## Water Heater Continuity Tester

Tests elements and thermostats while they are in the heater. May also be used to test continuity in fluorescent lights, fuses and all appliances. Sensitive enough to measure even the fine filament wire in a light bulb. Sensitive LED light indicates continuity. More useful than a circuit tester. Complete instructions and batteries included.



Stock #	Description	Case Qty
10023	Water Heater Continuity Tester	12

10023 Water Heater Tester



## Gas Leak Testing

### Gas Leak Detector

Safe, clean-drying gas leak detector fluid detects dangerous leaks in anything that can be tested with air or gas pressure. Just daub or spray on and look for bubbles.

Stock#	Description	Qty
10322	Gas Leak Detector 32 oz w/sprayer	4
10324	Gas Leak Detector 8 oz w/sprayer	6
10325	Gas Leak Detector 8 oz w/dauber	6
10367	Gas Leak Detector gallon	6
10368	Gas Leak Detector (55 gallon)	1

Gas Leak Detector



10325 10324 10322

### Gas Pressure Test Kit

Tests LP and natural gas controls for correct pressure or leaks. 0-20 oz PSI on inner reading; 0-35" of water column on outer reading. Easy to use and read with 2.5" dial. Includes brass pressure tap fitting and 30" soft hose.

10389	Gas Pressure Test Kit	1
10399	GP Test Kit Tapered Rubber Nipple	1
10409	Gas Pressure Test Kit Hose - 36"	1

10389 Gas Pressure Test Kit



# Gas Water Heater Parts & Accessories

## Thermocouples

Kits contain thermocouple and positioning adapters to fit most gas water heaters as well as gas appliances. Made with copper tubing. For right-hand threads only.

Stock#	Description	Qty	Stock#	Description	Qty
09253	12" Thermocouple Kit	6	09272	18" Bagged Thermocouple Kit	6
09273	18" Thermocouple Kit	6	09291	24" Bagged Thermocouple Kit	6
09293	24" Thermocouple Kit	6	09312	30" Bagged Thermocouple Kit	6
09313	30" Thermocouple Kit	6	09331	36" Bagged Thermocouple Kit	6
09333	36" Thermocouple Kit	6	09352	48" Bagged Thermocouple Kit	6
09353	48" Thermocouple Kit	6			



09333  
36" Thermocouple Kit

See page 30  
for Bulk Parts Purchasing Program list

## Natural Gas Controls

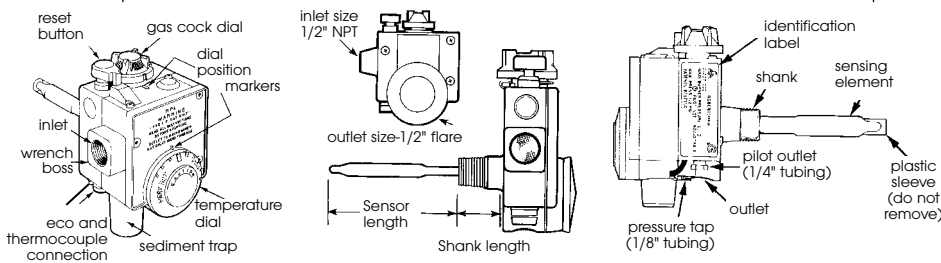
- 4" water column • 1-1/4" shank length • 1/2" NPT gas inlet by 1/2" inverted flare outlet
- Adjustable from 70° F to 160° F

Stock#	Brand	Rating	Qty
08401	White-Rodgers	42000 BTU	1
08421	Robertshaw	79000 BTU	1

## LP Gas Controls

- 1/2" NPT gas inlet by 1/2" inverted flare outlet • Preset 10" water column - adjustable from 9" to 12" • 1-5/8" shank length • Adjustable from 120° F to 160° F • 100,000 BTU/HR

08461 (Left Hand Threads) Robertshaw (for heaters manufactured after January 1986) 1



08401  
Natural Gas



08421  
Natural Gas



08461  
LP Gas

## Gasket Replacement Kit (FVIR)

Fits Richmond, Rheem, Ruud, Vanguard and General Electric brand water heaters. Kits contain burner access door gasket, #20 Torx-head tool, four torx-head screws, and four J-style clip-on nuts. Kit 09294 also includes a 24" thermocouple.

Stock#	Description	Qty
09294	Thermocouple Install Kit	6

## Gas Control Extender

- Adds shank length to gas controls • 2" overall length • 3/4" Male NPT x 3/4" Female NPT • Dielectric construction • Thermoplastic lining prevents corrosion

09072	Gas Control Extender	50
-------	----------------------	----

## Universal Gas Control Wrench

For simple installation and removal of gas controls. Adjustable with positive-lock screw.

09963	Gas Control Wrench	2
-------	--------------------	---

## Gas Water Heater Stands

Many local building codes require a water heater stand for gas water heaters located in areas where the accumulation of combustible fumes may occur. Constructed of galvanized steel. Minimal assembly required. Each stand is 18" high. For use with most residential water heaters.

11231	21" x 21" - For up to a 50 gal tank Holds up to 650 lb	1
11235	24" x 24" - For up to a 100 gal tank Holds up to 1200 lb	1



11235  
Gas Water Heater  
Stand

# Water Heater Connectors & Kits

## 3/4" Water Heater Connector Kits

Stock #	Description	Qty
10183	15" Copper Connector Kit - Gas	6
10193	15" Copper Connector Kit - Gas or Electric	6
10223	15" x 3/4" Copper Connector Kit - Gas or Electric	6
10533	18" x 3/4" Copper Connector Kit - Gas or Electric	6

**10183**  
Copper Connector Kit  
Gas

**10193**  
Copper Connector Kit  
Gas or Electric

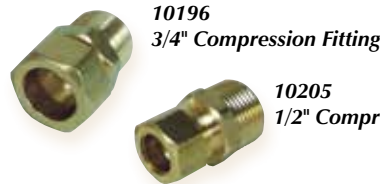
**10223**  
Copper Connector Kit  
Gas or Electric

Use...	For Water Heater Installation/Replacement of...
10183	GAS where "cold" supply or "hot" distribution lines are 3/4" copper (i.e. not threaded) and codes allow use of Flexible Gas Connector.
10223	GAS or ELECTRIC where "cold" supply and "hot" distribution lines are threaded and Flexible Gas Connector is not needed or allowed by codes.
10193 10533	GAS or ELECTRIC where "cold" supply or "hot" distribution lines are 3/4" copper (i.e. not threaded) and Flexible Gas Connector is not needed or not allowed by codes.

Kit Contains:	Gas		Gas or Electric	
	10183	10193	10223	10533
(2) Copper Flexible Water Connectors, 3/4" FIP	✓	✓	✓	✓
(1) Roll Teflon Tape	✓	✓	✓	✓
(2) Compression Fittings, 3/4" Compression x 3/4" Male NPT	✓	✓		✓
(1) Stainless Steel Gas Connector, 1/2" OD x 24" 1/2" M X F (Tapped 3/8" Female NPT)	✓			

## Compression Fittings

Stock#	Description	Qty
10196	3/4" Compression x 3/4" NPT Fitting	6
10205	1/2" Compression x 3/4" NPT Fitting	6



**10196**  
3/4" Compression Fitting

**10205**  
1/2" Compression Fitting

## Flexible Water Connectors—Seamless Corrugated Copper

### 3/4" SWT x 3/4" FIP - 7/8" ID flexible water connectors -125 PSI maximum

10032	18" x 3/4" Copper FIP x SWT	25
10045	12" x 3/4" Copper FIP x SWT	25
10055	15" x 3/4" Copper FIP x SWT	25
10085	24" x 3/4" Copper FIP x SWT	25

**10032**  
Flexible Copper  
Water Connector

### 3/4" FIP x 3/4" FIP flexible water connectors -125 PSI maximum

10043	12" Copper Water Connector - Card	12
10053	15" Copper Water Connector - Card	12
10063	18" Copper Water Connector - Card	12
10083	24" Copper Water Connector - Card	12

**10063**  
Flexible Copper  
Water Connector

## Flexible Water Connectors—Corrugated Stainless Steel

### 3/4" FIP x 3/4" FIP flexible water connectors-125 PSI maximum

10735	15" Stainless Water Connector	25
10747	18" Stainless Water Connector	12
10755	24" Stainless Water Connector	12
10072	Washer For Water Connectors - Bulk	25

**10747**  
Stainless Steel  
Water Connector

## Flexible Gas Connector\*

10232	24" x 1/2" OD Stainless Steel, Coated	25
-------	---------------------------------------	----

\*Gas connectors are certified for household use to 1/2 PSI.

**10232**  
Flexible Gas Connector

See page 30 for Bulk Parts Purchasing Program list





# Water Heater Accessories

## T & P Valves

- Setting of 150 PSI / 210 °F • Stainless steel spring
- All brass body • ANSI Z21.22 Design • CSA certified
- Furnished with test lever • Epoxy coated extension probe

Stock #	Description	Qty
10421	1/2" Inlet/outlet T & P Valve w/ 4" Probe - Box	25
10423	1/2" Inlet/outlet T & P Valve w/ 4" Probe - Card	4
10463	3/4" Inlet/outlet T & P Valve w/ 1" Probe - Card	12
10471	3/4" Inlet/outlet T & P Valve w/ 4" Probe - Box	25
10473	3/4" Inlet/outlet T & P Valve w/ 4" Probe - Card	12
10491	3/4" Inlet/outlet Valve w/ 2-1/2" Shank - Box	25
10493	3/4" Inlet/outlet Valve w/ 2-1/2" Shank - Card	12

## Extra-Long Shank T & P Valve

10427	3/4" Inlet/outlet Valve 3/4" w/ 3-5/16" Shank	12
-------	---	----

## Lead-Free T & P Valves

10413	1/2" w/ 4" Probe • Lead Free	4
10433	3/4" w/ 1" Probe • Lead Free	12
10443	3/4" w/ 4" Probe • Lead Free	12
10453	3/4" w/ 2-1/2" Shank, 4" Probe • Lead Free	12

## T & P Valve Remover

10552	Universal T & P Valve Remover	25
-------	-------------------------------	----

## Heat Traps

- Helps prevent heat escape through inlet and outlet while idle
- 3/4" NPT x 3/4" NPT x 3" Length • Self-cleaning fittings help prevent corrosion • Dielectric inert thermoplastic lining

01012	Dielectric Water Heater Heat Traps - Bulk	24
01013	Dielectric Water Heater Heat Traps - 2/card	12
01022	Dielectric Heat Trap - Flapper Style - Bulk	24
01023	Dielectric Heat Trap - Flapper Style - 2/card	12

## Extra-Long Heat Traps

01033	Dielectric Water Heater Heat Traps - 5" Long - 2/Card	12
-------	---	----

## Dielectric Nipples

For inlet and outlet hook-ups and other uses where dissimilar metals occur in piping and plumbing systems. Thermoplastic lining prevents corrosion. 3/4" NPT x 3/4" NPT x 2-1/2" Length

10622	Dielectric Nipples - 2.5" long - Bulk	50
10623	Dielectric Nipples - 2.5" long - 2/Card	12
10602	Dielectric Nipples - 3" long - Bulk	25

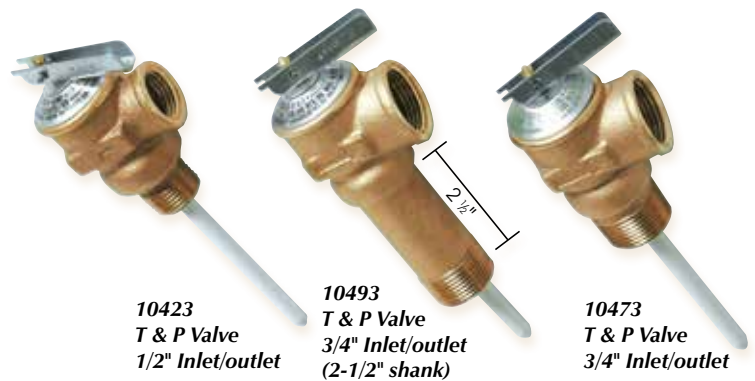
## Extra-Long Dielectric Nipples

10634	Dielectric Nipples 3/4" x 3/4" NPT - 5" long	12
-------	--	----

## Element Wrenches

- Zinc-plated **Element Wrenches** fit all standard screw-in elements and 1-1/2" nuts • Works with your screwdriver • Goes into offsets where an adjustable wrench cannot

09882	5" Wrench - Bulk	25
09883	5" Wrench - Card	12
09888	5" Dual Headed Wrench For Marathon™ Elements - Card	12
09889	5" Dual Headed Wrench For Marathon™ Elements - Bulk	25
09942	4" Heavy Duty Wrench - Bulk	25
09943	4" Heavy Duty Wrench - Card	12



10427  
T & P Valve  
3/4" Inlet/outlet with extra-long  
3-5/16" shank



01033  
Extra-Long  
5" Heat Traps

10634  
Extra-Long  
5" Dielectric  
Nipples



10623  
Dielectric Nipples

01013  
Heat Traps



09943  
Element Wrench

09953  
Professional  
Element Socket

09888  
Dual Headed Element Wrench

## Element Sockets

Chrome-plated **Professional Element Socket** fits standard 1/2" socket drive to make easy work of replacing screw-in water heater elements

09951	Element Socket - Bulk	6
09953	Element Socket - Clam	6

FOR WATER HEATERS WITH THICKER INSULATION

# Anode Rods and Accessories

## Runoff Tubes

Thermoplastic polypropylene runoff tubes present rigid surface for gripping with standard wrenches. Can be cut to length.

Stock #	Description	Qty
10862	Side Mount Runoff Tube (58" vertical)	12
10952	Center Top Mount Runoff Tube 12"H/59"V	12
10962	Top Mount Runoff Tube 7.5"H/59"V	12

## Water Inlet Dip Tubes

Anti-siphon hole breaks damaging siphon action. Can be cut to length. Gasket sold separately. (#06912)

11062	Flared Dip Tube (52" vertical)	12
11061	Flared Dip Tube (52" vertical) <b>with gasket</b>	12
11162	Threaded Dip Tube (48" vertical)	25
06912	Dip Tube Gaskets - Bag of 25 (Special order only)	1



## FOR WATER HEATERS WITH THICKER INSULATION

### Runoff Tubes and Dip Tubes for water heaters with thicker insulation

Water Heater parts designed to fit water heaters with thicker insulation resulting from the new NAECA regulations.

10955	Center Top Mount Runoff Tube - 14" H / 59" V	12
10965	Top Mount Runoff Tube - 9.5" H / 59" V	12
11163	50.5" Threaded Dip Tube w/5" Nipple	12



## Dielectric Unions

Use wherever dissimilar metals occur in piping and plumbing systems. Use in water heaters, water storage tanks, water conditioners and water pumps. 3/4" FIP x 3/4" SWT

Stock #	Description	Qty
23503	Dielectric Union 3/4" FIP - 2/card	12



## Residential Water Heater Anode Rods

11572	5/8" OD Anode Rod 42" Long Aluminum	6
11582	3/4" OD Anode Rod 42" Long Aluminum	6
11611	3/4" OD Anode Rod 42" Long Aluminum Flexible (3 Section) w/ 5" Dielectric Nipple	6
11612	5/8" OD Anode Rod 42" Long Aluminum Flexible (3 Section)	6
11622	3/4" OD Anode Rod 42" Long Aluminum w/Dielectric Nipple	6
11623	3/4" OD Anode Rod 29" Long Aluminum	6

## RV & Marine Water Heater Anode Rods (not shown)

11533	1/2" NPT Anode Rod 4-1/2" long Magnesium with Drain - for Atwood water heaters	6
11553	1/2" NPT Anode Rod 4-1/2" long Magnesium for Atwood water heaters	6
11563	3/4" NPT Anode Rod 9-1/2" long Aluminum for Suburban (Mor-Flo) water heaters	6
11593	1/2" NPT Anode Rod 9-1/2" long Magnesium for Atwood 10 Gallon water heaters	6



# Drain Valves and Water Hoses

## Brass Water Heater Drain Valve w/ Recirculation Elbow

Stock #	Description	Qty
11502	Drain Valve w/ Recirculation Elbow - Bulk	25

## Backflow Preventers w/ stainless steel spring 3/4" NPT

23303	1/2" Brass Backflow Preventer - Card	6
23402	3/4" Brass Backflow Preventer - Bulk	25

## Water Heater Drain Valves

Permanent installation. Fits directly into water heater for easy draining. 3/4" NPT x 3/4" male hose thread. 2-1/2" long. Brass valves are CSA Low Lead Content Certified.

11512	Drain Valve - Brass - Bulk	25
11513	Drain Valve - Brass - Card	12
11522	Drain Valve - Plastic - Bulk	25
11523	Drain Valve - Plastic - Card	12

## Extra Long Shank Water Heater Drain Valves

Water Heater parts designed to fit larger water heaters resulting from the new NAECA regulations

11505	WH Drain Valve - Brass 4-3/8" Shank	12
11543	WH Drain Valve - Plastic 3" Shank	12

## Water Pressure Regulators

Reduce water pressure to a safe, consistent 40–50 PSI of operational pressure. Protects equipment and helps prevent hose failure, helping to prolong equipment life. (3/4" M x F Garden Hose Threads) Patented. CSA Low Lead Content Certified.

40143	3/4" Plastic Water Pressure Regulator	6
40055	3/4" Brass Water Pressure Regulator	6

See page 30 for Bulk Parts Purchasing Program list

## Heated Drinking Water Hoses with Thermostat

### Protects to -20° F

Made with an NSF 61 certified, 5/8" I.D. drinking water safe hose that is BPA, phthalate and lead-free. Won't leach harmful chemicals into water or leave it tasting like plastic. Energy saving thermostat only heats as needed, saving money on your electric bill. Fittings are heavy-duty machined and plated for maximum corrosion resistance and the durable exterior jacket protects water hose and electrical components from damage or exposure. Protects to -20° F. Operates on 120 VAC.

Stock #	Description	Qty
22910	12 ft Heated Drinking Water Hose	1
22911	25 ft Heated Drinking Water Hose	1
22912	50 ft Heated Drinking Water Hose	1



11502  
Drain Valve with  
Recirculation Elbow



23402  
Backflow Preventer



11513  
Water Heater Drain Valve - Brass



11505  
Water Heater Drain Valve  
4-3/8" Shank - Brass



11523  
Water Heater  
Drain Valve - Plastic



11543  
Water Heater Drain Valve  
3" Shank - Plastic



40143 Plastic  
Water Pressure  
Regulator

40055 Brass  
Water Pressure  
Regulator

## Heavy Duty 5/8 inch Contractor Hoses

### Rated for hot water up to 100° F

Reinforced, abrasion-resistant hose for hot water use. Easier to clean; drinking water safe. Spring reinforced to reduce kinking. Stainless steel fittings. 10-year limited replacement warranty. 300 PSI burst strength. Available in 25 ft, 50 ft & 100 ft lengths.

Stock #	Description	Qty
22863	25 ft Contractor Hose	3
22873	50 ft Contractor Hose	3
22883	100 ft Contractor Hose	3



# Drain Pans and Fittings

All pans on this page include dual-size 1" / 1.5" Drain Pan Fitting

## Drain Pans and Fittings

**Plastic**—For electric water heaters ONLY • Durable no-break polypropylene pans will not rust, corrode or crack • Pre-cut side opening for drain fitting • 1"/1.5" drain fitting included (#11452 PVC or #11442 CPVC)

Stock #	Description	Qty
11260	20" ID Plastic Drain Pan w/PVC Fitting - 2.5+" Deep	6
11266	20" ID Plastic Drain Pan w/CPVC Fitting - 2.5+" Deep	6
11460	22" ID Plastic Drain Pan w/PVC Fitting - 2.5+" Deep	6
11466	22" ID Plastic Drain Pan w/CPVC Fitting - 2.5+" Deep	6
11360	24" ID Plastic Drain Pan w/PVC Fitting - 2.5+" Deep	6
11366	24" ID Plastic Drain Pan w/CPVC Fitting - 2.5+" Deep	6
11400	26" ID Plastic Drain Pan w/PVC Fitting - 2.5+" Deep	6
11406	26" ID Plastic Drain Pan w/CPVC Fitting - 2.5+" Deep	6
11410	28" ID Plastic Drain Pan w/PVC Fitting - 2.5+" Deep	6
11416	28" ID Plastic Drain Pan w/CPVC Fitting - 2.5+" Deep	6
11420	30" ID Plastic Drain Pan w/PVC Fitting - 2.5+" Deep	6
11426	30" ID Plastic Drain Pan w/CPVC Fitting - 2.5+" Deep	6
11427	32" ID Plastic W/H Drain Pan PVC Fitting - 2.5+" Deep	6
11429	32" ID Plastic W/H Drain Pan CPVC Fitting - 2.5+" Deep	6

**Plastic Corner Pan**—For electric water heaters ONLY • Will not rust, corrode or crack • 1"/1.5" drain fitting included (#11452 PVC or #11442 CPVC)

11480	24" ID Corner Plastic Drain Pan w/PVC Fitting - 3" Deep	6
11486	24" ID Corner Plastic Drain Pan w/CPVC Fitting - 3" Deep	6

**Aluminum**—For gas or electric water heaters • Will not rust or crack • 1"/1.5" drain fitting included (#11452 PVC or #11442 CPVC) • Pre-cut side opening for drain fitting

20800	20" ID Aluminum Drain Pan w/PVC Fitting - 2.25" Deep	6
20806	20" ID Aluminum Drain Pan w/CPVC Fitting - 2.25" Deep	6
20840	22" ID Aluminum Drain Pan w/PVC Fitting - 2.25" Deep	6
20846	22" ID Aluminum Drain Pan w/CPVC Fitting - 2.25" Deep	6
20830	24" ID Aluminum Drain Pan w/PVC Fitting - 2.25" Deep	6
20836	24" ID Aluminum Drain Pan w/CPVC Fitting - 2.25" Deep	6
20833	24" ID Aluminum Drain Pan w/PVC Fitting - 2.88" Deep	6
20810	26" ID Aluminum Drain Pan w/PVC Fitting - 2.25" Deep	6
20816	26" ID Aluminum Drain Pan w/CPVC Fitting - 2.25" Deep	6
20813	26" ID Aluminum Drain Pan w/PVC Fitting - 2.88" Deep	6
20850	28" ID Aluminum Drain Pan w/PVC Fitting - 2.25" Deep	6
20851	28" ID Aluminum Drain Pan w/CPVC Fitting - 2.25" Deep	6
20860	30" ID Aluminum Drain Pan w/PVC Fitting - 2.25" Deep	6
20866	30" ID Aluminum Drain Pan w/CPVC Fitting - 2.25" Deep	6
20868	32" ID Aluminum W/H Drain Pan PVC Fitting - 2.25" Deep	6
20870	32" ID Aluminum W/H Drain Pan CPVC Fitting - 2.25" Deep	6



All Camco plastic and aluminum water heater pans are recyclable



11360  
Plastic Drain Pan



11480  
Plastic Corner Drain Pan



20830  
Aluminum Drain Pan

**Aluminum without drain hole**—For gas or electric water heaters • Will not rust or crack • 1"/1.5" drain fitting included (#11452)

20801	20" ID Aluminum Drain Pan w/PVC Fitting - 2.25" Deep	6
20841	22" ID Aluminum Drain Pan w/PVC Fitting - 2.25" Deep	6
20831	24" ID Aluminum Drain Pan w/PVC Fitting - 2.25" Deep	6
20811	26" ID Aluminum Drain Pan w/PVC Fitting - 2.25" Deep	6
20861	30" ID Aluminum Drain Pan w/PVC Fitting - 2.25" Deep	6

NAECA regulations effective April 16th, 2015 have resulted in larger diameter water heaters, requiring the use of larger pans during installation.

# Drain Pans and Fittings

## Water Heater Drain Pans for Tankless Water Heaters

### Drain Pans for Tankless Water Heaters

Stock #	Description	Qty
11470	Plastic - with PVC fitting	6
11476	Plastic - with CPVC fitting	6
11430	Aluminum - with PVC fitting	6
11432	Aluminum - with CPVC fitting	6

The Wall Saver™ allows for easier routine maintenance flushing and helps protect floors and walls from leaks. Made of injection-molded no-break polypropylene; will not rust, corrode or crack. Wall-mounted drain pan fits under most whole-house tankless water heaters and is required by building codes. Recyclable and non-toxic. U.S. Patents 8104634 and D653745. Each pan includes a dual-size 1-inch/1.5-inch drain fitting with gasket.

Plastic: W: 21.5"; H: 16"; D: 13.4"

Aluminum: W: 21.7"; H: 15.3"; D: 11.6"



### Drain Pan Fittings

Replacements for all Camco water heater and washing machine drain pans. Includes fitting, locknut and washer.

Stock #	Description	Qty
11442	Drain Pan Fitting Kit Fits 1"/1.5" CPVC	25
11452	Drain Pan Fitting Kit Fits 1"/1.5" PVC	25



### Galvanized Square—

For gas or electric heaters. 1"/1.5" drain fitting included

20922	ID 24" x 24" Heater Pan - 4" Deep - Bulk	1
20932	OD 30" x 30" Heater Pan - 6.25" Deep - Bulk	1

20922  
Galvanized  
Square Pan

# Residential Electric Water Heater Construction

**Flexible stainless steel or copper connectors** — connects to hot and cold water pipe system

**Temperature and pressure (T & P) valve** — safety device to relieve excessive pressure and/or temperature buildup in tank

**Dielectric nipples or heat traps** — with thermoplastic lining to help prevent thread corrosion

**Cold water inlet** — supplies water for heating to the tank

**Hot water outlet** — water supply to house faucets

**Run-off tube** — carries water or steam safely to drain or drain pan if T & P valve activates

**Anode rod** — a rod composed of sacrificial metal to help prevent deterioration of the steel tank and elements by controlling electrolysis

**Cold water dip tube** — a non-metallic tube that directs incoming cold water to the bottom of the tank

**Upper thermostat** — turns heating elements on or off to maintain preset or desired temperature; regulates power to the lower thermostat

**Steel tank with glass lining** — prevents corrosion

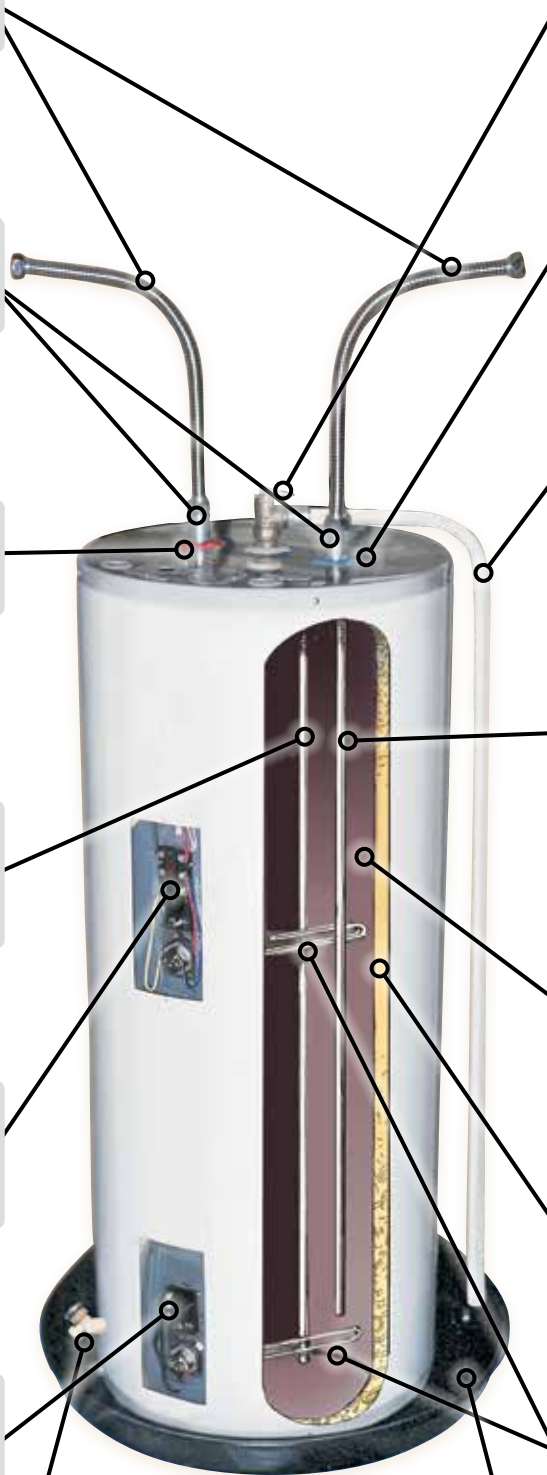
**Lower thermostat** — controls lower heating element to maintain desired temperature

**Insulation** — helps maintain consistent water temperature

**Drain valve** — a metal or plastic valve used when draining heater for periodic cleaning or replacement of a defective water heater element

**Heating element** — a resistant type electrical component to generate heat

**Drain pan** — plastic or metal pan to collect and drain off leaking water or water from activated T & P valve; must be plumbed to drain



# Washing Machine Drain Pans

## Standard-Size Washing Machine Drain Pans

- White polypropylene plastic • Will not rust, corrode or crack • Includes 1 1/2" drain fitting • Bottom or side outlet (not pre-cut) • 1 1/2" drain can pass all codes • Easy to install • Matte finish • ID 27" x 30" x 2-1/8"

Stock #	Description	Qty
20752	30" x 32" OD Washer Drain Pan - with PVC fitting	6
20756	30" x 32" OD Washer Drain Pan - with CPVC fitting	6

## Apartment-Sized Washing Machine Drain Pans

- White polypropylene plastic washer drain pan designed and sized for apartment-sized washers. Will not rust, corrode or crack. Includes 1 1/2" PVC drain fitting Bottom or side outlet (not pre-cut) • 1 1/2" drain can pass all codes • Easy to install • Matte finish • ID 25 x 27"

20762	28" x 30" OD Washer Drain Pan - 2.25" Deep - Bulk	6
-------	---	---

## Low Profile Washing Machine Drain Pans

- Polypropylene plastic pan designed and sized especially for a full-size front-loading washer to allow clearance when opening pedestal drawer
- Will not rust, corrode or crack • Includes 1 1/2" PVC drain fitting • Bottom outlet (not pre-cut) • 1 1/2" drain can pass all codes • Easy to install • Matte finish ID 29" x 33"

20786	31" x 35" OD Low Profile Drain Pan - 1.6" Deep - White	6
20788	31" x 35" OD Low Profile Drain Pan - 1.6" Deep - Pewter	6

## Washing Machine Hoses

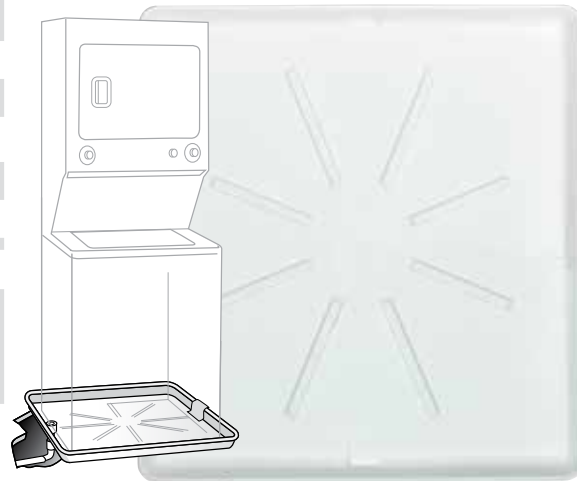
20500	5' Washing Machine Hose - Bag	12
20502	5' Washing Machine Hose - Bulk	25

## Dishwasher Drain Pan

- Camco's Dishwasher Pan can help save the cost of expensive repairs by alerting the homeowner to dishwasher leaks that would otherwise go undetected. It is designed to guide water to the front of the pan, so that it can be seen before any water damage has occurred.

20600	20-1/2" x 24" OD Dishwasher Drain Pan - White	6
-------	---	---

20752  
Washing  
Machine Pan

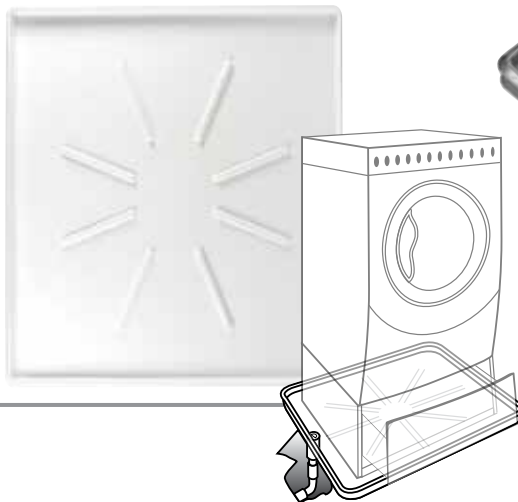


20762  
Apartment-sized  
Washing Machine  
Pan

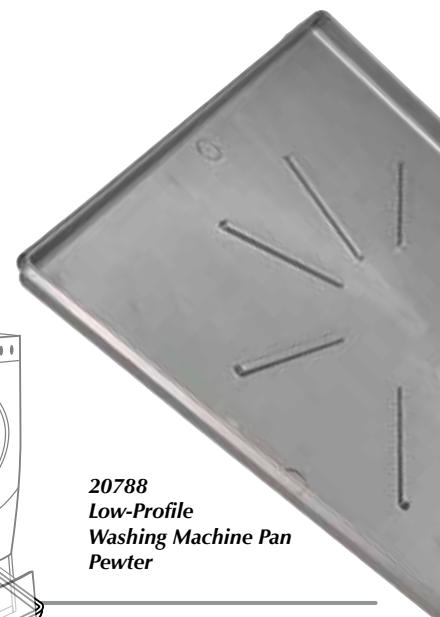
20600  
Dishwasher Pan



20786  
Low-Profile  
Washing Machine Pan  
White



20788  
Low-Profile  
Washing Machine Pan  
Pewter



# Top Burners for Electric Ranges



UL listed



**GE / Hotpoint  
Plug-in Style**



**Universal  
Plug-in Style**



*GE/Hotpoint  
with porcelain connector*



*Delta Support*



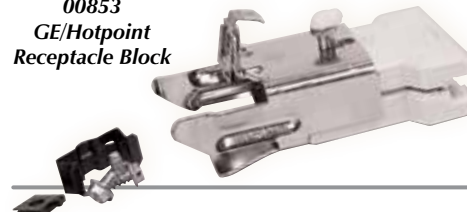
*Y Support*

Stock#	Description	Watts	Volts	Size	Turns	Support	Chromalox#	Qty
<b>GE/Hotpoint Plug-In</b>								
00103	GE/Hotpoint Plug-in	1325w	240v	6"	5	Y	CH30x218	6
00113	GE/Hotpoint Plug-in	2350w	240v	8"	6	Y	CH30x219	6
<b>GE/Hotpoint w/Porcelain Connector</b>								
00183	GE/Hotpoint w/trim ring	1325w	240v	7"	5	GE	CH30x356	6
00193	GE/Hotpoint w/trim ring	2125w	240v	9"	6	GE	CH30x354	6
00283	GE/Hotpoint Plug-in w/o trim ring	1325w	240v	6"	5	GE	CH30x342	6
00293	GE/Hotpoint Plug-in w/o trim ring	2125w	240v	8"	6	GE	CH30x341	6
<b>Economy Plug-In Universal</b>								
00143	Universal Economy Plug-in	1250w	240v	6"	3	Y	SP12YA	6
00153	Universal Economy Plug-in	2100w	240v	8"	4	Y	SP21YA	6
00223	Universal Economy Plug-in	1250w	240v	6"	3	Delta	SP12MA	6
00233	Universal Economy Plug-in	2100w	240v	8"	4	Delta	SP21MA	6
<b>Deluxe Plug-In Universal (Deluxe has more heating surface than Economy)</b>								
00243	Universal Deluxe Plug-in	1500w	240v	6"	4	Y	MP15YA	6
00253	Universal Deluxe Plug-in	2100w	240v	8"	5	Y	MP21YA	6
00263	Universal Deluxe Plug-in	1500w	240v	6"	4	Delta	MP15MA	6
00273	Universal Deluxe Plug-in	2100w	240v	8"	5	Delta	MP21MA	6

## Repair Parts

Stock#	Description	Qty
00853	GE/Hotpoint Receptacle Block	6
Direct replacement for GE ranges. Includes: (1) metal/porcelain bracket, (2) machine screws, (1) sheet metal screw, (1) wire bracket and (1) nut		
00863	Universal Range Switch - Card	8
Includes: switch, mounting adapter parts, knob adapter		
00873	Universal Receptacle Block Kit	12
Fits most electric ranges, except GE.		

**00853  
GE/Hotpoint  
Receptacle Block**



**00863  
Universal Range  
Switch**



**00873  
Universal Receptacle Block**





# Pans, Bowls and Knob Kits



Bowl for plug-in elements  
UNIVERSAL



Pan for hinged elements  
EXCEPT GE / HOTPOINT —  
UNIVERSAL



DEEP style bowl  
for plug-in elements  
GE / HOTPOINT TYPE



pan for hinged elements  
GE / HOTPOINT TYPE

## Universal Drip Pans and Bowls for Electric Ranges

Stock#	Description	Type	Qty
00343	6" Chrome Trim Ring	-	12
00353	8" Chrome Trim Ring	-	12
00383	6" Chrome Drip Bowl	Plug-in	12
00393	8" Chrome Drip Bowl	Plug-in	12
00463	6" Chrome Drip Pan	Hinge	12
00473	8" Chrome Drip Pan	Hinge	12
00503	6" Black Porcelain Drip Bowl	Plug-in	12
00513	8" Black Porcelain Drip Bowl	Plug-in	12
00583	6" Black Porcelain Drip Pan	Hinge	12
00593	8" Black Porcelain Drip Pan	Hinge	12

## Electric Knob Kit - 4/card

Stock#	Description	Qty
00883	Electric Range Knobs-Top Burner - Black	12
00923	Electric Range Knobs-Top Burner - White	12
00903	Electric Range Knobs-Top Burner - Chrome	12

## Electric Knob Kit - 1/card

Stock#	Description	Qty
00913	Electric Range Knob-Burner/Oven - Black	12
00893	Electric Range Knob-Burner/Oven - White	12
00933	Electric Range Knob-Burner/Oven - Chrome	12

## Gas Knob Kit - 4/card

Stock#	Description	Qty
00943	Gas Range Knobs-Top Burner - Black	12
00983	Gas Range Knobs-Top Burner - White	12
00963	Gas Range Knobs-Top Burner - Chrome	12

## Gas Knob Kit - 1/card

Stock#	Description	Qty
00973	Gas Range Knob-Burner/Oven - Black	12
00953	Gas Range Knob-Burner/Oven - White	12
00993	Gas Range Knob-Burner/Oven - Chrome	12

## Drip Pans and Bowls for GE/Hotpoint Electric Ranges

Stock#	Description	Type	Qty
00303	6" Chrome Trim Ring	-	12
00313	8" Chrome Trim Ring	-	12
00323	6" Black Porcelain Drip Bowl	Plug-in	12
00333	8" Black Porcelain Drip Bowl	Plug-in	12
00403	6" Chrome Drip Bowl	Plug-in	12
00413	8" Chrome Drip Bowl	Plug-in	12
00423	6" Chrome Drip Pan	Hinge	12
00433	8" Chrome Drip Pan	Hinge	12
00443	6" Blk Porcelain Drip Bowl 1990 - Present	Plug-in	12
00453	8" Blk Porcelain Drip Bowl 1990 - Present	Plug-in	12
00483	6" Chrome Drip Bowl 1990 - Present	Plug-in	12
00493	8" Chrome Drip Bowl 1990 - Present	Plug-in	12
00543	6" Black Porcelain Drip Pan	Hinge	12
00553	8" Black Porcelain Drip Pan	Hinge	12



## Reflector Drip Pans for Gas Ranges

Stock#	Description	Qty
00363	Round Chrome Gas Drip Pan (7")	12
00373	Square Chrome Gas Drip Pan (7-3/4")	12

00973  
Gas Range Knob



00903  
Electric Range Knob Kit



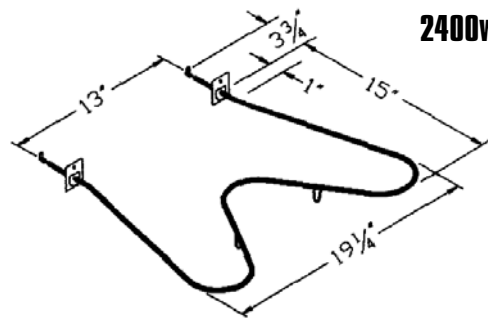
# Bake & Broil Elements

Stock#	Description	Watts	Volts	Qty
<b>Bake Elements</b>				
00611	Bake Element	2400w	240v	6
00621	Bake Element	3000w	250v	6
00631	Bake Element	2700w	240v	6
00641	Bake Element	2500w	240v	6
00651	Bake Element	3000w	250v	6
00681	Bake Element	2585w	250v	6
00701	Bake Element	2600w	240v	6
00711	Bake Element	2585w	250v	6
00721	Bake Element	2475w	250v	6
00731	Bake Element	2200w	250v	6
00741	Bake Element	2585w	250v	6
00751	Bake Element	3100w	240v	6
00761	Bake Element	2400w	240v	6
00791	Bake Element	2500w	240v	6

## Broil Elements

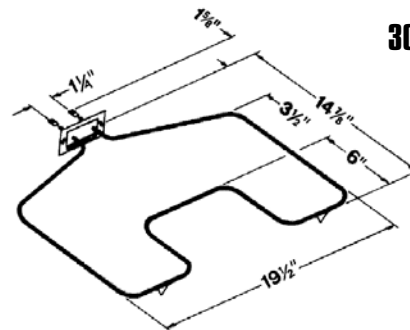
00771	Broil Element	3000w	250v	6
00801	Broil Element	3400w	250v	6
00811	Broil Element	3400w	240v	6
00831	Broil Element	3410w	250v	6

All elements include screw-in hardware.



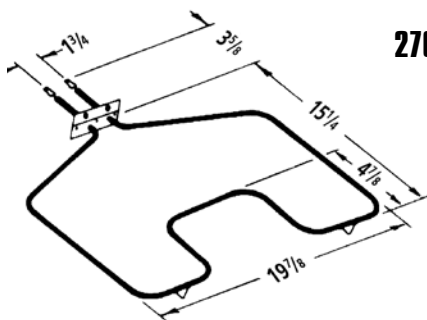
**00611**  
2400w 240v Bake Element

**KENMORE**  
1312853  
1311298-0  
**WHIRLPOOL**  
865940  
**CHROMALOX**  
CH775



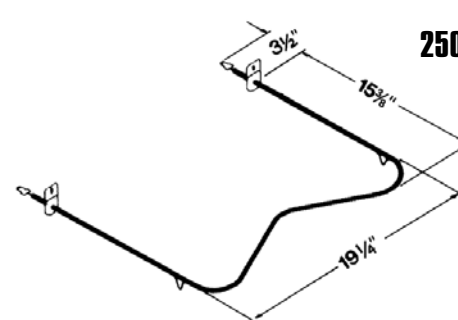
**00621**  
3000w 250v Bake Element

**GE**  
WB44x126  
WB44x118  
WB44x105  
WB44x133  
WB44x120  
WB44x112  
**HOTPOINT**  
297B774G3  
**CHROMALOX**  
CH44x126



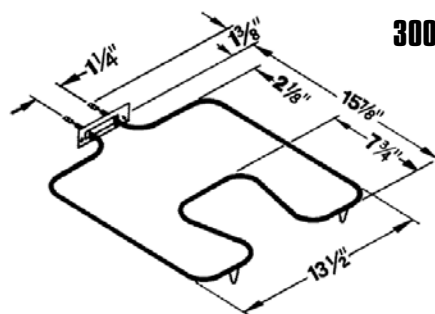
**00631**  
2700w 240v Bake Element

**KENMORE**  
296119  
296565  
301444  
321667  
**CHROMALOX**  
CH2858



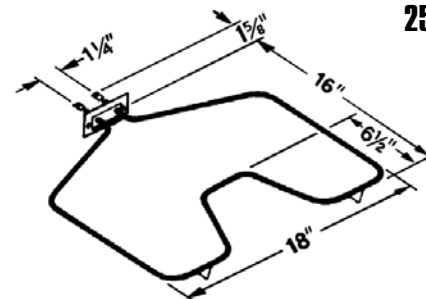
**00641**  
2500w 240v Bake Element

**KENMORE**  
282717 301471  
314620 319529  
319837 319238  
320421 324186  
320420  
**CHROMALOX**  
CH776



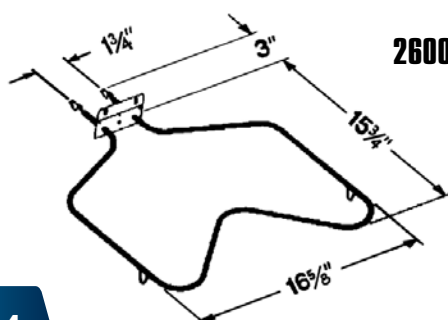
**00651**  
3000w 250v Bake Element

**GE**  
WB44x5043  
WB44x5049  
WB44x5078  
WB44x5080  
**HOTPOINT**  
663130  
664640  
684729  
**CHROMALOX**  
CH44x5043



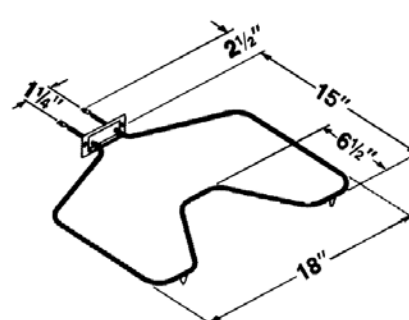
**00681**  
2585w 250v Bake Element

**GE**  
WB44x105  
WB44x118  
WB44x120  
WB44x126  
WB44x133  
WB44x5061  
WB44x5099  
**CHROMALOX**  
CH44x5099



**00701**  
2600w 240v Bake Element

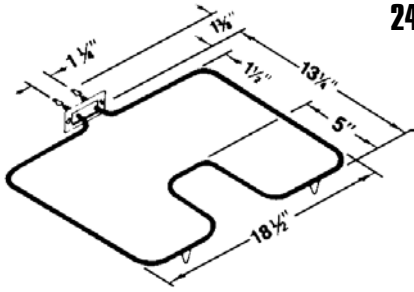
**WHIRLPOOL**  
308180  
**JENN-AIRE**  
202550  
**CHROMALOX**  
CH4836



**00711**  
2585w 250v Bake Element

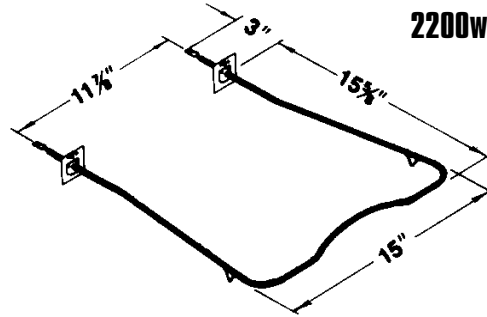
**GE**  
WB44x5061  
WB44x5082  
WB44x5072  
**CHROMALOX**  
CH44x5082

# Bake & Broil Elements



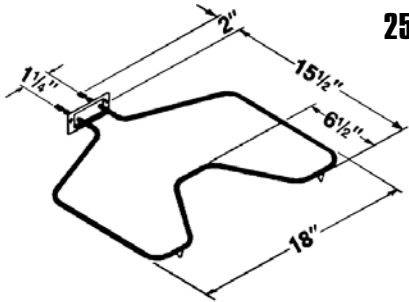
**00721**  
2475w 250v Bake Element

**FRIDGIDAIRE**  
632305 632306  
633114 1133051  
752576 7525781  
7526491 7526492  
752660 7532556  
7532557 8004204  
9950882  
**CHROMALOX**  
CH978



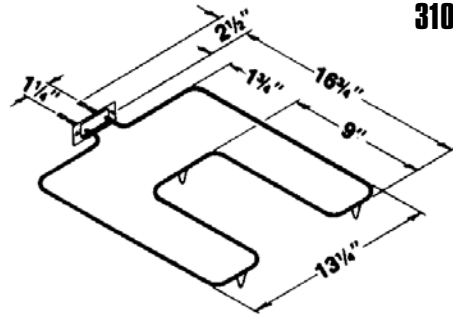
**00731**  
2200w 250v Bake Element

**WHIRLPOOL**  
255103; 257376;  
257987; 326791  
**ROPER**  
326791  
**CHROMALOX**  
CH687



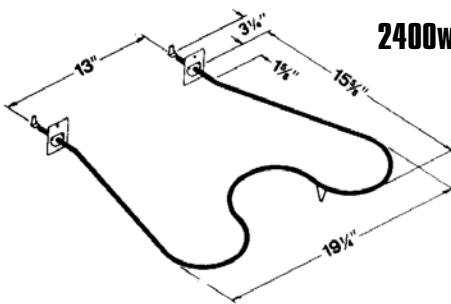
**00741**  
2585w 250v Bake Element

**GE**  
WB44x5083  
WB44x5085  
**CHROMALOX**  
CH44x5083



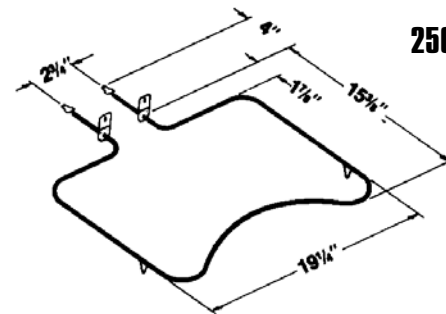
**00751**  
3100w 240v Bake Element

**GE**  
WB44x200;  
WB44x160  
**CHROMALOX**  
CH44x200



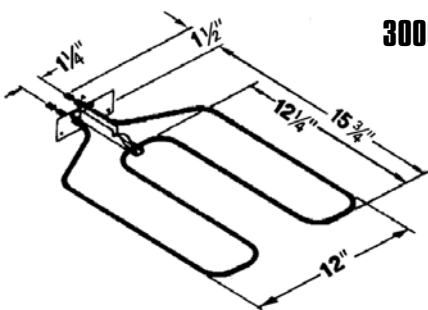
**00761**  
2400w 240v Bake Element

**FRIDGIDAIRE**  
8008245  
**KENMORE/KELVINATOR**  
1313171; 1313169  
**WHIRLPOOL**  
866375  
**CHROMALOX**  
CH4879



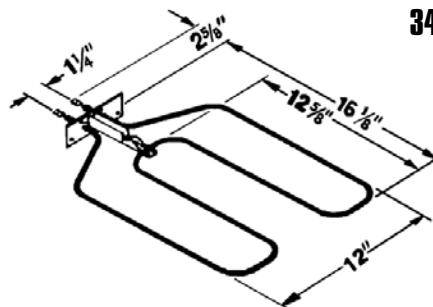
**00791**  
2500w 240v Bake Element

**ROPER/KENMORE**  
325883;  
326365;  
326364;  
326366  
**GE**  
WB44x230  
**CHROMALOX**  
CH5853



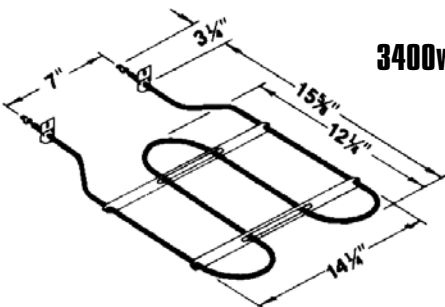
**00771**  
3000w 250v Broil Element

**GE**  
WB44x134  
**CHROMALOX**  
CH44x134



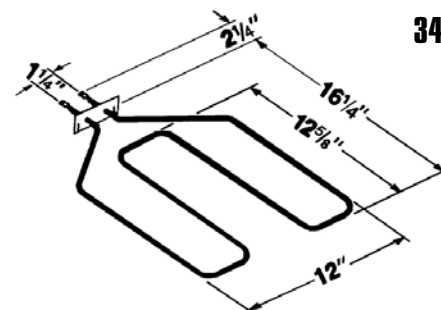
**00801**  
3400w 250v Broil Element

**GE**  
WB44x149  
WB44x150  
WB44x167  
WB44x168  
WB44x173  
WB44x185  
WB44x5064  
**CHROMALOX**  
CH44x185



**00811**  
3400w 240v Broil Element

**ROPER/KENMORE**  
296121; 296566;  
319487; 324163;  
324249; 324251  
**CHROMALOX**  
CH2859



**00831**  
3410w 250v Broil Element

**GE**  
WB44x5074  
**CHROMALOX**  
CH44x5074

# Propane Campfires



## Big Red Campfire®

Take your fire with you! Our Big Red Portable Campfire is great for campsites with restrictions against in-ground fires. Take it tailgating, or put it on the patio...its size is convenient for wherever you need a fire. Realistic log set (original) or lava rocks (CSA version) and full 9.5" diameter ring burner help create the natural look and ambiance of from-scratch campfires. Sturdy lid and security latches make it safe and easy to transport. Self storing lid can also serve as a Campfire base. Includes 10' propane hose for use with standard LP gas cylinders. RV campground approved. 13.25" fire tray diameter. 65,000 BTU/HR.

58035	Big Red Campfire	1
-------	------------------	---

## Little Red Campfire®

Take your fire with you! Our compact, portable campfire is great for campsites with restrictions against in-ground fires. Tailgating, or on the patio...its size is convenient for wherever you need a fire. Realistic log set (original) or lava rocks (CSA version) and full 9.5" diameter ring burner help create the natural look and ambiance of from-scratch campfires. Sturdy lid and security latches make it safe and easy to transport. Includes 8' propane hose for use with standard LP gas cylinders. RV campground approved. 11.25" fire tray diameter. 65,000 BTU/HR.

58031	Little Red Campfire	1
-------	---------------------	---



## Portable Propane Campfire

Features like an elevated fire tray and heat resistant base make this Portable Campfire perfect for use in campgrounds with fire restrictions; great for residential porch and patio use as well. Large 14-1/2" burner ring allows for even distribution of gas and flame. 8' hose and adjustable regulator allows easy control of desired fire size up to 65,000 BTUs per hour with no ash, no mess and no smoke. Includes two bags of lava rocks. Legs fold completely under to fit into included storage bag.

58041	Propane Campfire	1
-------	------------------	---

## Propane Adapter

59213	Propane Adapter (for use with 1 lb bottle)	6
-------	--	---

59213  
Propane Adapter



# Portable Fire Ring

## Portable Fire Ring

Safely contain your campfire with Camco's Portable Fire Ring. The large, 27" wide steel ring will accommodate your natural wood-burning fire. Six-piece hinged design unfolds and assembles easily with no tools required. Tree cut-outs create a captivating ambiance. Folds flat for storage. Includes a zippered bag for easy transportation.

51091	Portable Fire Ring	1
-------	--------------------	---



# Gas Matches

## GM3 GasMatches™

One of our finest and most popular lighters. Long slender design lets you get at hard-to-reach places with total safety. Features a continuous ignition system (requires one AA battery, included), safety lock, fully adjustable flame, fuel viewing window. Refillable with butane lighter fluid. ISO 9001 certified. CPSC certified.

57433	GM3 - 14 3/4"	12
57543	GM3X - 26" (15" flex extender)	12
57684	GM3XE - 40 3/4" (36" flex extender)	20
57549	GM3X - 26" (15" flex extender) with no butane	12



## GM4 GasMatches™

Our most popular mid-sized model. Piezo electric ignition, fully adjustable flame, safety lock, fuel viewing window, thousands of lights. CPSC certified. Refillable with butane lighter fluid. 11" long.

57453	Olympian™ GM4 GasMatch	12
-------	------------------------	----

## GM9 2-pack Refillable GasMatches

Great for barbecues, fireplaces, pilot lights, kerosene heaters and candles. Safety lock, CPSC certified, adjustable flame, fuel viewing window. 11" long.

57473	Olympian™ GM9 GasMatches-2/card	12
-------	---------------------------------	----

## Ronson® Butane

Multi-fill injectors in 78 gram and 165 gram sizes.

57416	Ronson 78 Gram Butane Fuel	12
57496	Ronson 165 Gram Butane Fuel	12

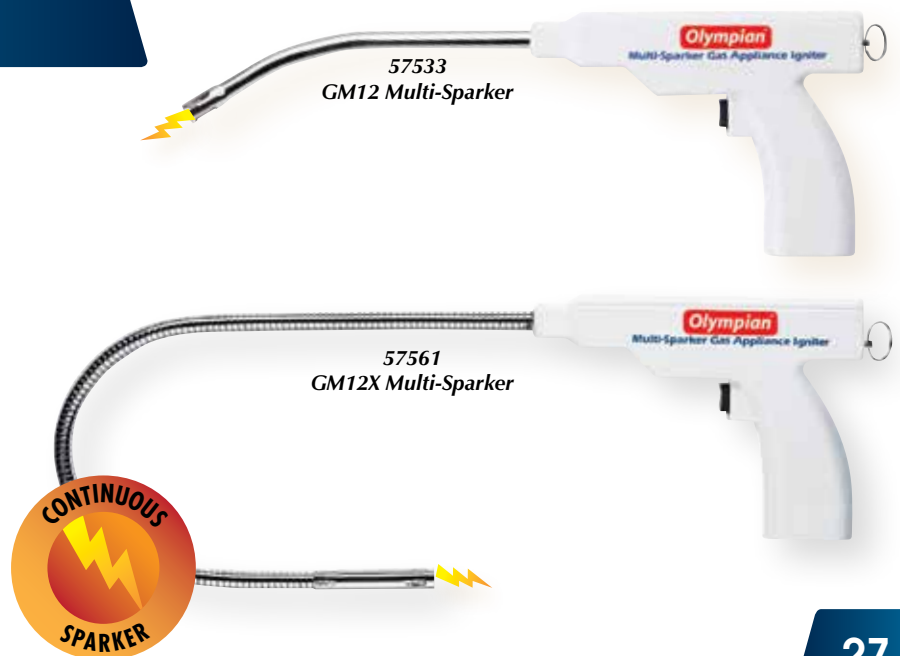


# Sparker Igniters

## GM12 Continuous Ignition Multi-Sparker

This handy igniter is the one designed exclusively for igniting gas appliances. No butane to refill. The continuous ignition piezo electric sparker assures a large and immediate continuous spark. The automatic illumination micro-light and curved nozzle make tough lighting jobs easy. Uses one C battery (included).

57533	GM12 - 13" long (7" pipe)	12
57561	GM12X - 26" long (20" pipe)	24



# Antifreeze for Potable Water Systems

## Antifreeze for potable water systems

For use in winterization of fresh/potable water systems in campers, RVs and summer homes. High-grade formulas protect equipment down to -50° F. (-46° C) with no mixing required. Use full strength—do not dilute. All ingredients are listed in the U.S. Federal Register (GRAS - generally regarded as safe). Not recommended for winterizing boat engines.

### Easy Going™ -50

Virgin propylene glycol-based formula is safe, odorless and tasteless.

Stock#	Description	Size	Qty
30757	Easy Going -50° F Antifreeze	1 gallon	6
30759	Easy Going -50° F Antifreeze	5 gallons	36
30758	Easy Going -50° F Antifreeze	55 gallons	4

### Arctic Ban™ -50

Ethyl alcohol/propylene glycol-based formula is safe, odorless and non-staining.

Stock#	Description	Size	Qty
30807	Arctic Ban -50 Antifreeze	1 gallon	6
30809	Arctic Ban -50 Antifreeze	5 gallons	36
30808	Arctic Ban -50 Antifreeze	55 gallons	4



# Antifreeze for Boiler Systems

30029  
Boiler Antifreeze

30027  
Boiler  
Antifreeze



36011  
Antifreeze  
Test Strips

35106  
Inhibitor  
Re-Charge

### FreezeCheck Refractometer

Eliminates guesswork by reading freeze protection of ethylene glycol, methoxy propanol and propylene glycol, as well as actual burst protection of propylene glycol antifreezes. Rapid temperature compensation for accuracy in varying temperatures. Shock-resistant design. Improved optics for ease of viewing. Completely immersible.

Stock#	Description	Size	Qty
65401	Freeze-Check Refractometer	-	1

65401  
Refractometer



### Boiler Antifreeze

- For hydronic heating and cooling systems • Safe • Odorless • Tasteless
- Protects -100° F (-73° C). A premium heat transfer fluid with special corrosion inhibitors added. For use in hot water and other closed boiler and solar systems. Concentrated, may be diluted to the desired burst protection level and flow temperature desired using the chart provided. Contains Propylene Glycol with corrosion inhibitor and inert ingredients. Non-Flammable • No mixing required. Boiling point: 760mmHg ... 109° C ... 228° F • All ingredients are listed in the U.S. Federal Register (GRAS).\* \* Generally regarded as safe

Stock#	Description	Size	Qty
30027	Boiler Antifreeze -100	1 gallon	6
30029	Boiler Antifreeze -100	5 gallons	36
30028	Boiler Antifreeze -100	55 gallons	4

### Boiler Antifreeze MID

- Premium MID-Grade heat transfer fluid

Stock#	Description	Size	Qty
30417	Boiler Antifreeze MID	1 gallon	6
30419	Boiler Antifreeze MID	5 gallons	36
30418	Boiler Antifreeze MID	55 gallons	4

### Ready-to-Use Boiler Antifreeze

- All ingredients are listed in the U.S. Federal Register (GRAS).\*
- \* Generally regarded as safe

Stock#	Description	Size	Qty
33129	RTU Boiler Antifreeze	5 gallons	36
33128	RTU Boiler Antifreeze	55 gallons	4

### Boiler AL Antifreeze

Boiler AL (not shown) contains special corrosion inhibitors for use in boilers containing aluminum.

Stock#	Description	Size	Qty
33119	Boiler AL -100	5 gallons	36
33118	Boiler AL -100	55 gallons	4

### Inhibitor Re-Charge for Boiler Antifreeze

Replaces depleted corrosion inhibitors in antifreeze solutions to prevent corrosion problems. Can also be added to uninhibited antifreeze solutions. **Not for use with Boiler AL.**

Stock#	Description	Size	Qty
35106	Inhibitor Re-Charge	32 oz	6

### Boiler Antifreeze Test Strips

These strips test the pH of the solution to indicate the corrosion protection.

Stock#	Description	Size	Qty
36011	Boiler Antifreeze Test Strips	50 strips	1

# Antifreeze for Fire Sprinkler Systems

**Liquids orders must be sent on a separate P.O.**

Fire Sprinkler System Antifreezes PG and GL should be used in wet fire sprinkler systems that may be exposed to freeze conditions. When used undiluted, Fire Sprinkler System Antifreezes PG & GL will protect the system from freezing and ensure system flow in wet fire sprinkler systems.

**PG38: Designed for metal fixed-sprinkler systems only**

Fire Sprinkler System Antifreeze PG is 38% by volume Propylene Glycol solution, which is non-toxic and safe for all wet fire sprinkler systems with the exception of systems that contain CPVC. It is a factory pre-mix, made to be in compliance with NFPA Guidelines. Contains Corrosion Inhibitors to protect metal components and system.

% of Fire Sprinkler System Antifreeze PG	Freeze Point Degree F	Flow Point Degree F	Burst Protection Degree F	Specific Gravity @ 77° F (25° C)
100	-15° F	-25° F	-50° F	1.137

**GL48: Designed for CPVC and PEX systems only**

Fire Sprinkler System Antifreeze GL is 48% by volume Glycerin based solution, which is non-toxic and safe for CPVC and PEX wet fire sprinkler systems as specified by manufacturers. It is a factory pre-mix made to be in compliance with NFPA Guidelines. Contains Inhibitors to improve product stability.

% of Fire Sprinkler System Antifreeze GL	Freeze Point Degree F	Flow Point Degree F	Burst Protection Degree F	Specific Gravity @ 77° F (25° C)
100	0° F	-15° F	-50° F	1.037

- Factory pre-mixed for accuracy
- Complies with NFPA guidelines
- Non-Toxic Formulation – Ingredients are listed as GRAS by the FDA
- Biodegradable and Environmentally Friendly

**Stock# | Size**

PG38 Fire Sprinkler Antifreeze	
33327	1 Gallon Bottle
33329	5 Gallon Pail
33328	55 Gallon Drum
33325	275 Gallon Tote

**Stock# | Size**

GL48 Fire Sprinkler Antifreeze	
33337	1 Gallon Bottle
33339	5 Gallon Pail
33338	55 Gallon Drum
33335	275 Gallon Tote



# Windshield Washer Fluid



**Xtreme Blue Windshield Washer Fluid**

30907  
-20° F



**Rain Cutter Windshield Washer Fluid**

31177  
-25° F



**Ice Cutter**

30527

**Xtreme Blue™ Windshield Washer Concentrate**

Concentrated formula is better for the environment; takes less water and plastic to produce. Concentrated product must be diluted to comply with CARB (CA) regulations (Dilution chart is on product label).

Stock#	Description	Size	Qty
30254	Windshield Washer Concentrate	16 oz	24
30256	Windshield Washer Concentrate	32 oz	6

**Xtreme Blue™ Windshield Washer Fluid**

Ready to use: no mixing required. Easily removes road grime, film and bugs. Excellent for all season use. Aids in melting frost, snow and ice. (Does not apply to +32°.)

Stock#	Description	Size	Qty
30907	-20° F Xtreme Blue	1 gallon	6
30917	-25° F Xtreme Blue	1 gallon	6
30987	0° F Xtreme Blue	1 gallon	6
30977	+20° F Xtreme Blue	1 gallon	6
30297	+32° F Xtreme Blue	1 gallon	6

**Rain Cutter™ Windshield Washer Fluid**

Our exclusive formula sheds rain faster than the national brand. Premium product cuts road grime fast for cleaner windshields. Available with protection down to -25° F. High-visibility colors for greater consumer recognition in store displays. (Does not apply to +32°.)

Stock#	Description	Size	Qty
31177	-25° F Rain Cutter Washer Fluid	1 gallon	6
31178	-25° F Rain Cutter Washer Fluid	55 gallon	1
32037	0° F Rain Cutter Washer Fluid	1 gallon	6
31187	+32° F Rain Cutter Washer Fluid	1 gallon	6

**Ice Cutter™ -30 Windshield Washer Fluid**

Melts frost and light ice on contact. No mixing required; excellent for all-season use. Easily removes road grime, film and bugs. Protects to -30° F.

Stock#	Description	Size	Qty
30527	-30° F Ice Cutter Washer Fluid	1 gallon	6

For questions about products on these pages, please contact our Liquids Customer Service Department. 800-334-2004 ext 28234

# Bulk Parts Program

Many of our retail-packaged items are available as bulk items, with no packaging. The following pages contain featured top-selling bulk items that are frequently used by contractors for building projects, apartment/building maintenance, etc. If there is a bulk item for which you are searching and it does not appear in the following bulk item list, please contact customer service to see if it is available.

Item#	Qty	Description
<b>Range Accessories</b>		
00142	25	Universal 6"x3 Trn Y Supt 1250W 240V Economy Plug In
00152	25	Universal 8"x4 Trn Y Supt 2100W 240V Economy Plug In
00222	25	Universal 6"x3 Trn Delta Supt 1250W 240V Economy Plug In
00232	25	Universal 8"x4 Trn Delta Supt 2100W 240V Economy Plug In
00242	25	Universal 6"x4 Trn Y Supt 1500W 240V Deluxe Plug In
00252	25	Universal 8"x5 Trn Y Supt 2100W 240V Deluxe Plug In
00262	25	Universal 6"x4 Trn Delta Supt 1500W 240V Deluxe Plug In
00272	25	Universal 8"x5 Trn Delta Supt 2100W 240V Deluxe Plug In
00302	25	Trim Ring GE/HP 6" Chrome Electric
00312	25	Trim Ring GE/HP 8" Chrome Electric
00322	25	Drip Bowl GE/HP 6" Porcelain Electric
00332	25	Drip Bowl GE/HP 8" Porcelain Electric
00342	25	Trim Ring Universal 6" Chrome Electric
00352	25	Trim Ring Universal 8" Chrome Electric
00362	25	Drip Pan Round 7" Chrome Gas
00372	25	Drip Pan Square 7 3/4" Chrome Gas
00382	25	Drip Bowl Universal 6" Chrome Electric
00392	25	Drip Bowl Universal 8" Chrome Electric
00402	25	Drip Bowl GE/HP 6" Chrome Electric
00412	25	Drip Bowl GE/HP 8" Chrome Electric
00422	25	Drip Pan GE/HP 6" Chrome Electric
00432	25	Drip Pan GE/HP 8" Chrome Electric
00442	25	Drip Bowl GE/HP 6" Porcelain 1990 - Present
00452	25	Drip Bowl GE / HP 8" Porcelain 1990 - Present
00462	25	Drip Pan Universal 6" Chrome Electric
00472	25	Drip Pan Universal 8" Chrome Electric
00482	25	Drip Bowl GE / HP 6" Chrome 1990 - Present
00492	25	Drip Bowl GE / HP 8" Chrome 1990 - Present
00502	25	Drip Bowl Universal 6" Black Porcelain Electric
00512	25	Drip Bowl Universal 8" Black Porcelain Electric
00542	25	Drip Pan GE/HP 6" Black Porcelain Electric
00552	25	Drip Pan GE/HP 8" Black Porcelain Electric
00582	25	Drip Pan Universal 6" Black Porcelain Electric
00592	25	Drip Pan Universal 8" Black Porcelain Electric

Item#	Qty	Description
<b>Water Heater Repair</b>		
01012	24	Dielectric Heat Traps 3" Long Paired Hot/Cold
01022	24	Dielectric Heat Traps 2-1/2" Long Flapper Style
02142	25	1500W 120V Screw In Element HWD
02162	25	1500W 240V Screw in Element HWD
02182	25	1750W 120V Screw In Element HWD
02202	25	2000W 120V Screw in Element HWD
02242	25	2500W 240V Screw In Element HWD
02262	25	3000W 240V Screw In Element HWD
02282	25	3500W 240V Screw In Element HWD
02292	25	3800W 240V Screw In Element HWD
02302	25	4000W 240V Screw In Element HWD
02342	25	4500W 240V Screw In Element HWD
02362	25	5500W 240V Screw In Element HWD Foldback
02492	25	2500W 240V Screw In Element LWD Foldback
02522	25	3500W 240V Screw In Element LWD Foldback
02582	25	4500W 240V Screw In Element LWD Foldback
02612	25	6000W 240V Screw In Element LWD Foldback
02642	25	4500W 240V Screw In Element HWD Foldback
02722	25	4500W 240V 1-3/8" Screw In LWD Duron Style
02852	25	1500W 120V Screw In Element LWD Lime Life
02912	25	3500W 240V Screw In Element LWD Lime Life Foldback
02922	25	4500W 240V Screw In Element LWD Lime Life Foldback
02932	25	5500W 240V Screw In Element LWD Lime Life Foldback
02952	25	4500W 240V Screw In Element LWD Lime Life Ripple Foldback
02962	25	5500W 240V Screw In Element LWD Lime Life Foldback
<b>Water Heater Thermostats</b>		
07722	25	Lower Thermostat - Apcom Style
07842	25	Single Element Thermostat - Apcom Style
07862	25	Upper Thermostat - Apcom Style
08012	25	Single Element Thermostat 120V - Thermodisc
08112	25	Thermodisc Upper T-Stat Protective Cover
08122	25	Lower Thermostat - Thermodisc
08142	25	Single Element Thermostat - Thermodisc
08162	25	Upper Thermostat - Thermodisc



# Bulk Parts Program

Item#	Qty	Description
<b>Gas Water Heater Parts and Accessories</b>		
09272	6	Thermocouple Kit - 18" Bagged
09291	6	Thermocouple Kit - 24" Bagged
09331	6	Thermocouple Kit - 36" Bagged
09312	6	Thermocouple Kit - 30" Bagged
<b>Miscellaneous Items for Water Heater Repair</b>		
09882	25	Screw In Element Wrench 5"
09942	25	Heavy Duty Element Wrench 4"
<b>Connectors</b>		
10032	25	Water Connector 18" Flex Copper SWT x 3/4" FIP
10042	25	Water Connector 12" Flex Copper 3/4" FIP x 3/4" FIP
10045	25	Water Connector 12" Flex Copper SWT x 3/4" FIP
10052	25	Water Connector 15" Flex Copper 3/4" FIP x 3/4" FIP
10055	25	Water Connector 15" Flex Copper SWT x 3/4" FIP
10062	25	Water Connector 18" Flex Copper 3/4" FIP x 3/4" FIP
10072	25	Washer for Flex Connector
10082	25	Water Connector 24" Flex Copper 3/4" FIP x 3/4" FIP
10085	25	Water Connector 24" Flex Copper SWT x 3/4" FIP
10232	25	Gas Connector 24" Flex Stainless Steel 1/2" OD
10735	25	Water Connector 15" Flex Stainless 3/4" FIP x 3/4" FIP Cut Case
10747	25	Water Connector 18" Flex Stainless 3/4" FIP x 3/4" FIP

Item#	Qty	Description
10755	25	Water Connector 24" Flex Stainless 3/4" FIP x 3/4" FIP Cut Case
<b>T &amp; P Valves and Other Items</b>		
10421	25	T & P Valve 1/2" w/ 4" Probe
10471	25	T&P Valve 3/4" w/4" Probe Coated, 150psi (Eng/Fr)
10491	50	T & P Valve 3/4" w/ 2 1/2" Probe
10602	50	Dielectric Nipples 3/4" MPT x 3/4" MPT x 3"
10622	50	Dielectric Nipples, 3/4" NPT x 3/4" NPT x 2-1/2" Long LLC
<b>Plastic Water Heater Drain Fittings</b>		
11442	25	Drain Pan Fitting 1" CPVC
11452	25	Drain Pan Fitting 1" PVC
<b>Miscellaneous Items</b>		
11512	25	Water Heater Drain Valve Brass
11522	25	Water Heater Drain Valve Plastic
23402	25	3/4" Back-Flow Preventer

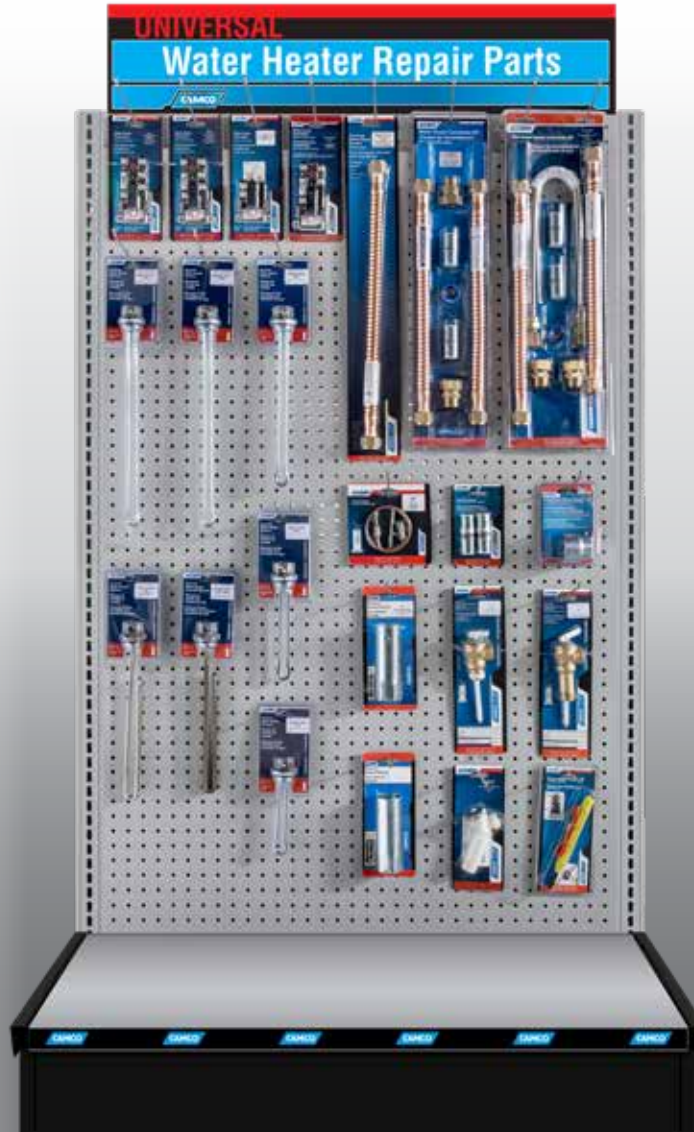


# 61605 Range Accessories Display



Stock #	Description	Qty	Stock #	Description	Qty
00103	GE/HP 6"x 5 Turn Plug-In Y Support	2	00463	Drip Pan Universal 6" Chrome Electric	4
00113	GE/HP 8"x 6 Turn Plug-In Y Support	2	00473	Drip Pan Universal 8" Chrome Electric	4
00143	Economy 6" x 3 Turn-Y Support	2	00503	Universal 6" Plug-In Reflect Bowl-Black Porc.	2
00153	Economy 8" x 4 Turn-Y Support	2	00513	Universal 8" Plug-In Reflect Bowl-Black Porc.	2
00243	Deluxe 6" Plug-In Y Support	2	00543	Drip Pan GE/HP 6" Black Porcelain Electric	2
00253	Deluxe 8" Plug-In Y Support	2	00553	Drip Pan GE/HP 8" Black Porcelain Electric	2
00303	Trim Ring - Electric 6" Chrome, GE/HP	2	00873	Universal Receptacle Block Kit	4
00313	Trim Ring - Electric 8" Chrome, GE/HP	2	00883	Electric Range Top Burner Knob - Black	2
00383	Universal 6" Plug-In Reflect Bowl	6	00903	Electric Range Knob Kit Top/Burner - Chrome	2
00393	Universal 8" Plug-In Reflect Bowl	6	00913	Electric Range Knob Kit Top/Oven - Black	2
00403	6" Drip Bowl GE/Hotpoint	4	00933	Electric Range Knob Kit Top/Oven - Chrome	2
00413	8" Drip Bowl GE/Hotpoint	4	00943	Gas Range Top Burn Knob Kit - Black	2
00423	GE/HP 6" Hinged Reflect Pan	4	00973	Gas Range Knob Kit Top/Oven - Black	2
00433	GE/HP 8" Hinged Reflect Pan	4			

# 61585 Water Heater Repair Display



Stock #	Description	Qty	Stock #	Description	Qty
02143	1500w 120v Screw-In Element	4	09883	5" Screw-In Element Wrench	2
02203	2000w 120v Screw-In Element	2	09953	Professional Element Socket	4
02293	3800w 240v Screw-In Element	2	10023	Water Heater Continuity Tester	2
02343	4500w 240v Screw-In Element	4	10063	18" Flex Water Connector	2
02583	4500w 240v LWD/FB Screw-In Element	4	10183	15" Water Heater Connector Kit -Gas	1
02923	4500w 240v Screw-In Lime Life Fold Back	4	10193	15" Water Heater Connector Kit -Electric	1
08123	Lower Therm-O-Disc Thermostat	2	10473	3/4" T&P Valve 4" Coated	4
08143	Therm-O-Disc Single Element Thermostat w/ HLC	2	10493	3/4" T&P Valve w/ 2.5" Shank 4" Probe - 150psi	2
08163	Upper Therm-O-Disc Thermostat w/ HLC	2	10623	Dielectric Nipples	4
09293	24" Thermocouple Kit	2	11523	Water Heater Drain Valve	2

*All displays can be customized to meet our customers' specific needs.*

# 61675 Basic Contractor Display (Apcom Thermostats)



Stock #	Description	Qty	Stock #	Description	Qty
02143	1500w 120v Screw-In Element	2	07723	Apcom Lower Thermostat	4
02203	2000w 120v Screw-In Element	2	07843	Apcom Single Element Thermostat	2
02283	3500w 240v Screw-In Element HWD	4	07863	Apcom Upper Thermostat	6
02343	4500w 240v Screw-In Element	6	09943	4" Heavy Duty Element Wrench	2
02583	4500w 240v LWD/FB Screw-In Element	2	09953	Professional Element Socket	2
02923	4500w 240v Screw-In Lime Life Fold Back	2	10623	Dielectric Nipples 3/4", 2/card	4
07023	Plumber's Pack Apcom T-stats HWD Element	4	10023	Water Heater Continuity Tester	2
07043	Plumber's Pack Apcom T-stats LWD Element	2			

Also available with Therm-O-Disc thermostats

# 61595 Water Heater Display (Therm-O-Disc Thermostats)



Stock #	Description	Qty	Stock #	Description	Qty
02143	1500w 120v Screw-In Element	2	08143	Single Element Therm-O-Disc Thermostat	2
02203	2000w 120v Screw-In Element	2	08163	Upper Therm-O-Disc Thermostat	4
02293	3800w 240v Screw-In Element	2	09883	5" Screw-In Element Wrench	2
02343	4500w 240v Screw-In Element	6	09953	Professional Element Socket	2
02583	4500w 240v LWD/FB Screw-In Element	4	10023	Water Heater Continuity Tester	2
02923	4500w 240v Screw-In Lime Life Fold Back	2	10473	3/4" T&P Valve 4" Coated	2
07013	Plumber's Pack TOD T-stats HWD Element	2	10623	Dielectric Nipples	2
08123	Lower Therm-O-Disc Thermostat	2	11523	Water Heater Drain Valve	2

Also available with Apcom thermostats

All displays can be customized to meet our customers' specific needs.

# 61226 4 ft RV Products Display



Stock #	Description	Qty	Stock #	Description	Qty
11563	Anode Rod 9 1/2"	1	40221	TST Singles	1
20183	1" Hose Filter Washers 3/card	2	40252	TST Grey Water Odor Control 32 oz	1
22505	90° Water Hose Elbow	1	40274	RV & Marine Toilet Tissue, 4/pk, 2ply, 500 sheets	4
22735	25' Fresh Water Hose	1	41008	Black Streak Remover, Pro-Strength 32 oz	1
25553	Level, Curved Ball (Graduated)	1	41024	Awning Cleaner, Pro-Strength 32 oz	1
36103	Blow Out Plug Plastic	1	41189	TST Orange Drop-Ins, 15/bag	2
39144	Easy Slip Sewer Elbow	1	41192	TST Orange Power Holding Tank Chemical	1
39163	Easy Slip Internal Hose Coupler	1	42061	De-Flapper	1
39173	Easy Slip Straight Hose Adapter	1	42123	Gutter Extensions, 4 pack	1
39413	Straight Sewer Hose Adapter	1	42563	RV Awning Stabilizer Kit	1
39463	RV Sewer Cap w/Hose Connector	1	42733	RV Fabric Awning Hooks	1
39551	Easy Slip Ready To Use Sewer Kit	1	43041	15' Sidewinder Sewer Hose Support	1
39553	Twist It Clamp 3"	1	43511	Mini-Dish Drainer	1
39621	HTS 10' Heavy Duty Sewer Hose	1	44412	Wheel Chock	2
39631	HTS 20' Heavy Duty Sewer Hose	1	44560	Stabilizer Jacks 4/Box	1
39761	RhinoFLEX Kit	1	44573	Tri-Leveler, Yellow	1
40043	TastePure KDF Water Filter	3	55163	PowerGrip 15M/30F 12" Electrical Adapter	1
40055	Water Pressure Regulator Brass	2	55173	PowerGrip 50M/30F amp 18" Adapter	1
40103	Holding Tank Rinser	1	55183	PowerGrip 30M/50F amp 18" Electrical Adapter	1
40206	TastePure Drinking Water Freshener 16 oz	1	55191	PowerGrip 30 amp 25' ext. cord w/ Handles	1
			55223	15M/30F amp Power Grip Adapter	1
			55233	30M/15F amp Power Grip Adapter	1



# CURRITUCK®

## CURRITUCK COOLERS



**SUPERIOR**  
ICE RETENTION



See page 3 for all sizes and color combinations.

## CURRITUCK WATER BOTTLES



## CURRITUCK TUMBLERS



#419 72001

Discover other trailer hitches and towing on our website.